

# | Type **TW711 / TW712**

WEH<sup>®</sup> Connector for pressure and function testing of fuel lines on pipes with collar or bead

WEH<sup>®</sup> Adapter zur Druck- und Funktionsprüfung von Kraftstoffleitungen an Rohren mit Bund oder Sicke





## LANGUAGES

---

<b>AE</b>	<b>TYPE TW711 / TW712</b> ..... <b>4</b>
	WEH® Connector for pressure and function testing of fuel lines on pipes with collar or bead
<b>DE</b>	<b>TYP TW711 / TW712</b> ..... <b>28</b>
	WEH® Adapter zur Druck- und Funktionsprüfung von Kraftstoffleitungen an Rohren mit Bund oder Sicke

The German version is the original.

**Manufacturer:** WEH GmbH Verbindungstechnik – hereinafter referred to as “WEH”.

Die deutsche Version ist das Original.

**Hersteller:** WEH GmbH Verbindungstechnik - im Nachfolgenden „WEH“ genannt.

# Type **TW711 / TW712**

WEH® Connector for pressure and function testing of fuel lines on pipes with collar or bead

## **CONTENTS**

---

<b>1. INTRODUCTION</b>	<b>6</b>
1.1 For your guidance	6
1.2 General information	7
1.3 Warranty and liability	7
1.4 General safety instructions	8
1.5 Definition of qualified personnel	9
<b>2. INTENDED USE</b>	<b>10</b>
<b>3. PRODUCT OVERVIEW / PRODUCT DESCRIPTION</b>	<b>11</b>
<b>4. TECHNICAL DATA</b>	<b>13</b>
<b>5. STORAGE</b>	<b>14</b>
5.1 Safety instructions for proper storage	14
5.2 Storage	15
<b>6. REQUIRED TOOLS</b>	<b>15</b>

<b>7. INSTALLATION</b>	<b>16</b>
7.1 Safety instructions for installation	16
7.2 Installing the media line	17
7.3 Checking the connection for leak tightness	17
<b>8. OPERATION</b>	<b>18</b>
8.1 Safety instructions for operation	18
8.2 Connection	19
8.3 Disconnection	20
<b>9. INSPECTION   MAINTENANCE</b>	<b>21</b>
9.1 Safety instructions for inspection and maintenance	21
9.2 Maintenance intervals	22
9.3 Overview of minimum intervals for inspection and maintenance	22
9.4 Maintenance	23
<b>10. TROUBLESHOOTING</b>	<b>25</b>
<b>11. DISPOSAL</b>	<b>27</b>
<b>12. ACCESSORIES   SPARE PARTS</b>	<b>27</b>

The German version is the original.

**Manufacturer:** WEH GmbH Verbindungstechnik - hereafter referred to as 'WEH'.

## 1. INTRODUCTION

---

Dear Customer,

Thank you for deciding to use our products.

The WEH® TW711 and TW712 Connectors have been developed for pressure and function test of components with bead, collar or male thread.

**Observe and follow all instructions and warnings in these operating instructions. Non-observance may result in personal injury and/or property damage.**

### 1.1 For your guidance

The markings and symbols contained in these operating instructions have the following meanings:

- Items are indicated by a dash
- ▶ Calls for action are indicated by an arrow

### Figures

The illustrations and/or images used in these operating instructions are particularly provided for illustrative purposes only and may differ in some details from the actual product. For binding information, please refer to your individual orders.

### Abbreviations / Definitions

For explanation of abbreviations and definitions of terms see applicable Technical Appendix of the corresponding catalog or [www.weh.com](http://www.weh.com)

### Definition of signal words

**Caution:** A section marked with 'Caution' warns you about hazards that could result in a slight, usually reversible personal injury if you do not comply with this instruction.

**Attention:** Sections marked 'Attention' warn you of situations that could lead to property damage and disruptions in operation if you do not comply with the instruction.

**Note:** Sections marked 'Note' indicate that malfunctions in operation may occur if you do not comply with the instruction.

**Please note:** Sections marked with 'Please note' provide you with additional information for smooth operation.

## 1.2 General information

- ▶ First read these operating instructions to avoid misuse and resulting damage.
  - In these operating instructions you will find all the necessary information and instructions for the WEH® Product.
- ▶ Then check the contents of your delivery. Each delivery must contain:
  - a delivery note
  - an original WEH Test report (not applicable to spare parts)
  - WEH operating instructions
- ▶ If any documents are missing, please contact WEH or your responsible distributor.

## 1.3 Warranty and liability

- Our General Terms and Conditions apply.
- ▶ Please read these operating instructions and safety instructions carefully and follow the information contained therein.
  - The information in these operating instructions reflects to the state of knowledge at the time of printing. Failure to comply may void the warranty. Any side agreements to these operating instructions require the written approval of the Head of the Quality Department at WEH.
  - Violation of these operating instructions result in the lapse of all warranty claims. WEH will accept no liability for consequential damage, in particular damage due to personal injury and/or other legal interests.

**Caution:** WEH® Products may only be repaired by WEH.

- ▶ Contact WEH or the responsible distributor if the WEH® Product requires maintenance. Special maintenance work that may be performed by the operator is described in these operating instructions and is specially marked.
- ▶ Only use original WEH® Spare parts. These are exactly suited to the WEH® Product and subject to strict quality controls.
  - You yourself are solely responsible for the proper performance of the replacement or repair. WEH is not responsible for the performance or any damage and/or losses arising from it. WEH assumes no guarantee, warranty, product liability or other liability for any replacement or repair of the WEH® Product performed by you or a third party. If you or a third party does not have the necessary skills and qualification for proper performance, you must refrain from performing replacement or repair. Otherwise, there is a particular risk of endangering yourself and third parties.

## 1.4 General safety instructions

- ▶ Always comply with all applicable local, national and international requirements, stipulations, decrees, laws, standards, provisions, directives, norms, regulations, prohibitions and instructions as well as all applicable industrial, quality and technical standards. In particular, make sure that you and all users comply with the applicable requirements related to occupational health and safety as well as product safety requirements and that all required permissions, certificates and approvals have been obtained.
- ▶ These operating instructions should be provided to anyone responsible for the installation, operation and maintenance of this WEH® Product.  
**Caution:** Incorrect application poses a risk to the user's health and can cause property damages. The consequences of incorrect application could include the following:
  - the connector or parts of the connector become loose under pressure
  - media that may be under pressure, hot or toxic, can escape
  - connection hoses vibrate dangerously
- The WEH® Product and these operating instructions are intended for use by qualified personnel (see *Chapter 1.5*). Make these operating instructions available in particular to the qualified personnel responsible for the individual phases of the life cycle (especially for storage, installation, operation, inspection and maintenance, troubleshooting and disposal) of the WEH® Product. The qualified personnel must have read and understood these operating instructions.
- ▶ Contact WEH before using the WEH® Product if the instructions in these operating instructions are unclear in any way.
- ▶ Take appropriate safety measures if operating conditions exist that could endanger the user.
- ▶ In case of any damage that may affect the proper functioning of the WEH® Product, do not use the WEH® Product until the situation has been clarified. Disassembly of the WEH® Product may only be performed by WEH.
- ▶ Comply with the assembly data indicated in these operating instructions. Tightening with higher torques/assembly turns can result in damage or even fractures when the system is pressurized.
- ▶ Do not use any auxiliary materials or cleaning agents other than those indicated in these operating instructions. Using other auxiliary materials or cleaning agents may cause damage to the WEH® Product or to downstream components.
- WEH is not responsible for damage caused by external forces or other external influences.



- It is assumed that only transport and storage facilities suitable for the storage of the WEH® Product are used.
- ▶ Do not apply any external forces to the WEH® Product. Therefore, do not lean on the (connected) WEH® Product, do not hang on the WEH® Product and do not climb on the WEH® Product under any circumstances. In addition, refrain from hammering on the WEH® Product or similar. Such force effects can lead to damage to property and personal injury. Also ensure that the WEH® Product is protected from being stepped on or run over in any way.
- The WEH® Product can become very hot or very cold due to the possible fluids flowing through it, depending on the application and operating situation. In this regard, observe the national and international regulations on occupational health and safety to prevent injuries.

### 1.5 Definition of qualified personnel

- Qualified personnel, as defined by these instructions, are persons who, based on their professional training, their knowledge (including the relevant standards and regulations), experience and manual skills, can independently assess and properly perform assigned work tasks (in conjunction with WEH® Products) and can thus independently recognize and prevent potential dangers at an early stage.

## 2. INTENDED USE

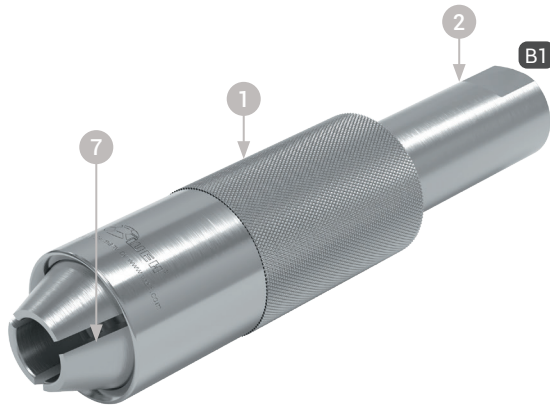
---

- The WEH® TW711 and TW712 Connectors have been developed for pressure and function test of components with bead, collar or male thread. The connectors come in many different sizes and forms.
- ▶ Always ensure that the WEH® Product is used only for its intended use. Please note in particular the technical data of the WEH® Product in *Chapter 4* as well as the marking on the WEH® Product itself.
- If you have ordered a customized adaptation from us, the WEH® Connector has been specially adapted to the requirements and applications on which you have based your order. The underlying requirements and applications are only considered confirmed if they have been expressly agreed to in writing by WEH. The connector may not be used for applications and requirements other than those confirmed in writing by WEH.
- This WEH® Product is generally classified as pressure accessory in accordance with Article 2 (5) of the Pressure Equipment Directive 2014/68/EU and is considered to be similar to piping. This WEH® Product may not be used as safety accessory. Furthermore, it is pointed out, that this WEH® Product is designed and placed on the market in accordance with the requirements of Article 4 (3) of the Pressure Equipment Directive 2014/68/EU. The assessment with regard to a different classification can, however, be made on request.

**Caution:** Any use beyond the scope of application is considered as unintended use and may result in personal injury and/or property damage.

### 3. PRODUCT OVERVIEW / PRODUCT DESCRIPTION

#### WEH® TW711 Connector

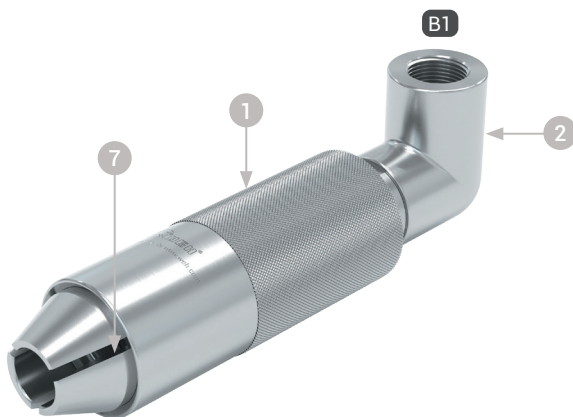


Pos.	Description
1	Sliding sleeve
2	Lower part
7	Front seal (inside)

#### Definition of ports

B1	Media inlet
----	-------------

**WEH® TW712 Connector**



Pos.	Description
1	Sliding sleeve
2	Lower part
7	Front seal (inside)

Definition of ports	
<b>B1</b>	Media inlet

## 4. TECHNICAL DATA

**Please note:** Depending on the application, the technical data of your WEH® Product may differ from these operating instructions. Please therefore observe the marking on the WEH® Product itself.

Characteristics	Basic version
Nominal bore (DN)	3.5 mm
Max. allowable operating pressure PS	10 bar
Temperature range	+5 °C to +100 °C
Medium	Petrol, diesel, compressed air
Part materials	Wear-resistant stainless steel, corrosion-resistant surfaces
Sealing material	FKM
Design	With or without integrated shut-off valve
Actuation	Manual actuation via sliding sleeve

## 5. STORAGE

---

### 5.1 Safety instructions for proper storage

- ▶ Make sure that you always comply with these following safety instructions and storage time.  
**Attention:** Improper storage of the WEH® Product can significantly reduce the maximum service life.
- ▶ Protect the WEH® Product against damage, contamination, inappropriate storage and excessive temperature fluctuations.
- ▶ Store the WEH® Product, the accessories and spare parts in the original packaging until they are used for the first time and during periods when they are not being used.
- ▶ Store the WEH® Product within a temperature range of -40 °C up to +40 °C. Storage temperatures outside this range may affect the service life of the WEH® Product.
- ▶ Do not store the WEH® Product in the vicinity of heat sources. Avoid humidity and condensation. The ideal relative air humidity for storage is approx. 65%.
- ▶ Do not store the WEH® Product together in the same space with solvents, chemicals, acids, fuels or disinfectants.
- ▶ Protect the WEH® Product against light, in particular direct sunlight, oxygen, ozone, heat, UV radiation, and other negative environmental influences. The service life of parts made of elastomer or plastic may be substantially reduced by such environmental factors.
- ▶ Do not stack WEH® Products. For storage and retrieval, follow the first-in-first-out (FIFO) principle.

## 5.2 Storage

- ▶ Follow the safety instructions in *Chapter 5.1* and observe the following storage times. The appropriate storage period applies from the date of delivery (i.e. the date of invoicing or goods issue date as recorded by WEH or its distributor). If the WEH® Product is installed in a complete system, the storage time depends on the component with the shortest storage time.

Up to 3 years	<ul style="list-style-type: none"> <li>▶ Before use, check the surfaces of the external seals for cracks.  <b>Attention:</b> Any elastomer seals with fine cracks on the surface must be replaced.  <b>Note:</b> If you should have any doubts about the aging state of the stored WEH® Product, please contact WEH.  <b>Attention:</b> Before commissioning, check the WEH® Product for leak tightness. On this topic, see <i>Chapter 7. Installation on page 16.</i></li> </ul>
> 3 years	<ul style="list-style-type: none"> <li>- Before use, all elastomer seals must be replaced.  For this, send the WEH® Product to WEH for maintenance.</li> </ul>

## 6. REQUIRED TOOLS

Part no.	Description	Installation	Maintenance & Lubrication
--	Suitable open-ended wrench (suitable for the relevant wrench size)	X	
--	Calibrated torque wrench (suitable for corresponding torque)	X	
--	Suitable open-ended wrench insert (suitable for the relevant wrench size and torque wrench)	X	
W136538	WEH® O-ring picker set*		X
E99-40	WEH® Lubricant		X

\* The WEH® O-ring picker is manufactured from plastic and has to be considered as a consumable product.

## 7. INSTALLATION

---

### 7.1 Safety instructions for installation

- ▶ Check the information provided in these operating instructions and the label on the WEH® Product. The information must conform to your application.
- ▶ Only connect the WEH® Product to faultless connections.
- ▶ Check the WEH® Product for transport damages, contamination and other damage. If you should detect anything wrong with the WEH® Product, it may no longer be used. Replace the WEH® Product or send it to WEH for maintenance.
- ▶ Remove transport securing devices (such as protection caps) before installing the WEH® Product. Transport securing devices serve the purpose of protecting the product and connection ports during transport and storage. The transport securing devices are not, for example, designed to withstand pressure or to be used as plugs.
- ▶ Ensure that the system is depressurized. Installation must only be effected in depressurized condition.
- ▶ Avoid using excessively short media lines and narrow bending radii. Lateral forces may cause leakages or damage to components and make it more difficult to attach the WEH® Connector properly.
- ▶ Use arrestor cables, partitions, etc. for additional safety where being used for hazardous applications or under hazardous conditions.
- ▶ USIT rings should be used to seal the ports.
- ▶ Before installation, check if the counterparts are designed to withstand the assembly data (see *Chapter 7.2 Installing the media line*) that WEH determined for this WEH® Product.

**Note:** The indicated assembly data (tightening torques, assembly turns etc.) are values that apply only to the components delivered by WEH.



## 7.2 Installing the media line

**Please note:** Subsequent mentions of descriptions and position numbers refer to *Chapter 3. Product overview / product description on page 11.*

- ▶ Unscrew the protection cap from the port.
- ▶ Clamp the WEH® Connector in a vice with aluminium clamping jaws to mount the media line.  
**Note:** The WEH® Connector must not be damaged during clamping.
- ▶ Screw the 'B1' media inlet pressure-tight to the port for the media line.  
For the tightening torque, please refer to the table below.

Connection	Torque
G1/8" female thread	10 Nm ± 2 Nm

- ▶ Please note the connection size marked on your product.
  - Other connection sizes are available on request.

## 7.3 Checking the connection for leak tightness

- ▶ Connect the connector to a closed test piece.
- ▶ Slowly apply the operating pressure to the connector and media line.  
**Caution:** The test piece must be closed.
- ▶ Check the connector, the connection to the media line and the connection to the test piece for leak tightness.  
**Attention:** Do not use a leak detection spray that contains ammonia, since this could cause corrosion of the connector.

## 8. OPERATION

---

### 8.1 Safety instructions for operation

**Please note:** Subsequent mentions of descriptions and position numbers refer to *Chapter 3. Product overview / product description on page 11.*

- ▶ Apply pressure to the WEH® Connector only once it has been connected to a test piece.
- ▶ Do not use excessive force when actuating.
- ▶ Follow the steps in **exactly** the right order when connecting and disconnecting the WEH® Connector.
- ▶ Attach and detach the WEH® Connector only when it is not under pressure.
- ▶ Connect the WEH® Connector only to test pieces in full working order.
- ▶ Align the WEH® Connector correctly with the test piece to prevent damage to the front seal caused by any sharp edges that the test piece may have.
- ▶ Once the connection has been made, always test the connection by tugging a little on the WEH® Connector to make sure that is fully engaged and that the clamping jaws are gripping correctly before introducing the pressurized test medium.
- ▶ The clamping jaws of the WEH® Connector are designed to grip the test piece. Keep fingers and other objects away from the clamping jaws when actuating the connector.  
**Caution:** Possible consequences of failing to observe this instruction may include:
  - Risk of fingers being crushed while connecting
  - Risk of personal injury and damage to property by parts that may become detached under high pressure
  - Risk of personal injury by media escaping at high pressure
  - Risk to human safety by hoses not being secured
- ▶ For WEH® Connectors without an integrated shut-off valve, test medium may escape when disconnecting. Therefore it is important to disconnect the connector only under absolutely safe conditions.

## 8.2 Connection

- ▶ Grip the connector by its sliding sleeve (Pos. 1). Make sure that the clamping jaws are open and protrude from the sliding sleeve (Pos. 1).
- ▶ Be careful to place the connector straight onto the test piece. Doing so will prevent any damage to the front seal caused by any sharp edges on the test piece and ensure a correct connection.

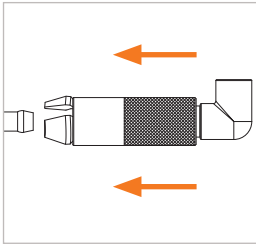


Figure 1

- ▶ Push the connector at the sliding sleeve (Pos. 1) forward onto the test piece (Figure 1). The connector must engage with a clearly audible click. The retaining ring must be visible (Figure 2) and the outer edges of the external diameter of the clamping jaws must no longer be visible (Figure 3 and Figure 4).

**Attention:** If the connector does not click into place, the outer edges of the external diameter of the clamping jaws are visible or the circlip is not visible, then the connector is not correctly connected. The connector may spring out of place and medium may escape.

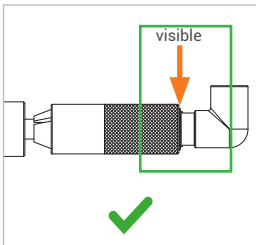


Figure 2

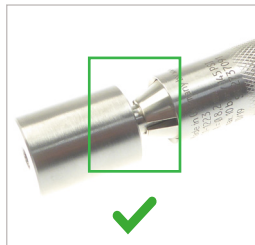


Figure 3

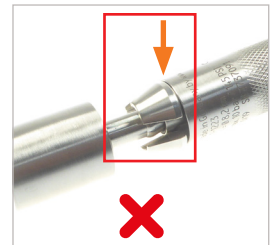


Figure 4

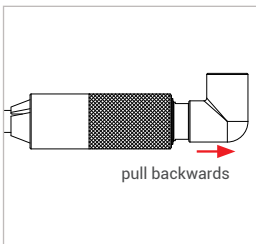


Figure 5

- ▶ Pull gently on the lower part of the connector (Pos. 2) (red arrow Figure 5) in the direction opposite that of the connection to make sure that the connector is properly connected.
- The connector is now connected pressure-tight to the test piece.
- ▶ To start the testing procedure, apply pressure to media inlet 'B1'.

### 8.3 Disconnection

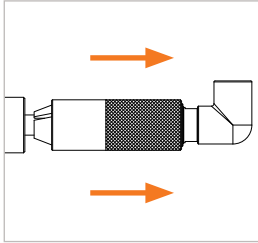


Figure 6

- ▶ After the end of the testing procedure, fully vent the media line.  
**Caution:** First depressurize the system before releasing the connection.
- ▶ Grip the connector by its sliding sleeve (Pos. 1).
- ▶ Pull the sliding sleeve (Pos. 1) back (*Figure 6*). The connection to the test piece is released and the connector can be removed by pulling it straight back.  
**Attention:** In the event that you cannot remove the connector from the test piece:
  - Wait a few moments
  - Never use excessive force
  - Do not use any tools (e.g. hammer)

## 9. INSPECTION | MAINTENANCE

**Please note:** Subsequent mentions of descriptions and position numbers refer to *Chapter 3. Product overview / product description on page 11.*

**Attention:** If damage to the WEH® Product or restrictions to its functionality are detected, measures as set out in *Chapter 10. Troubleshooting on page 25* must be taken. Damaged or leaking WEH® Products must be sent to WEH for maintenance.

### 9.1 Safety instructions for inspection and maintenance

- The WEH® Product must be depressurized and dismantled for maintenance work.
- ▶ Check the WEH® Product for leakage after maintenance work. Please refer to *Chapter 7. Installation on page 16.*
- For inspection purposes, it is not necessary for the WEH® Product to be dismantled, but it must be depressurized.
- ▶ Only use original WEH® Spare parts. These are exactly suited to the intended application and subject to strict quality controls.
- ▶ Do not damage sealing surfaces or sealing components.
- ▶ Before reassembling; check the components, threads and, if present, the sealing surfaces for damage and contamination. Should you find any damage, replace the WEH® Product or send it to WEH for maintenance. Stop using the WEH® Product immediately.
- ▶ Assemble the WEH® Spare parts absolutely free of oil, grease and dust.
- ▶ Before each reassembly, clean the WEH® Product and the corresponding components by blowing off with oil-free compressed air and remove any adhering dirt using a damp, soft and lint-free cloth.  
Do not use solvents. Use only clean water as cleaning agent.  
**Attention:** Only use oil-free compressed air to blow off the dirt.  
**Note:** Make sure that no cleaning agent enters the gas channel.

## 9.2 Maintenance intervals

- ▶ Inspect the WEH® Product at regular intervals depending on the respective operating conditions, but at least every 3 months. After 20,000 cycles or 3 years at the latest, depending on what happens first, starting from the date of delivery (invoice/ goods issue date by WEH or the distributor), the WEH® Product must be sent to WEH for maintenance.

These intervals can also be significantly shorter, which depends especially on your individual application/use. Therefore, in case of abnormalities – especially during regular inspection – send the WEH® Product immediately to WEH for maintenance. If the WEH® Product is not regularly inspected and sent to WEH for maintenance, leakage may occur and under certain circumstances this may result in failures and/or accidents.

## 9.3 Overview of minimum intervals for inspection and maintenance

No.	Inspection	Initial (before com- missioning for the 1st time)	Daily	Weekly
1	Check front seal for damage and dirt accumulation	X	X	
2	Check exterior for damage and dirt	X		X
3	Check sliding sleeve for damage	X		X
4	Check clamping jaws for correct functioning and any damage	X		X
5	Check connector and media line for leakage (see <i>Chapter 7. Installation</i> )	X		X
No.	Maintenance	After every 1,000 cycles	After 3 years or 20,000 cycles*	
6	Replace the front seal (see <i>Chapter 9.4.1 Replacement of front seal (Pos. 7)</i> )	X		
7	Return to WEH for in-factory maintenance		X	

\* depending on what happens first

**Note:** For component arrangement see *Chapter 3. Product overview / product description on page 11*.

- ▶ If your application requires, set shorter intervals than indicated above. A significant shortening of the minimum intervals is particularly necessary if abnormalities are found during the inspections.

## 9.4 Maintenance

**Please note:** Subsequent mentions of descriptions and position numbers refer to *Chapter 3. Product overview / product description on page 11.*

- ▶ If you detect any leaks or malfunction, replace the WEH® Product or send it to WEH for maintenance. Stop using the product immediately.

**The following maintenance work may be carried out by the operator:**

- ▶ Check the WEH® Product for leak tightness and correct functioning – ease of movement, sufficient lubrication, wear, contamination and damage.
- ▶ Check the sealing surface of the front seal (Pos. 7). If any tears, cracks or damage are visible on the front seal, replace it. Please refer to *Chapter 9.4.1 Replacement of front seal (Pos. 7) on page 24.*
- ▶ Check the lubrication of the front seal (Pos. 7). If the front seal is dry, apply a thin layer of WEH® Lubricant. Special media may extract substances and so lead to shrinking of the sealing material, thus affecting the sealing function.
- ▶ Regularly check the clamping jaws for dirt accumulation. Dirt particles can interfere with the clamping and sealing function, posing a potential hazard.

### 9.4.1 Replacement of front seal (Pos. 7)

**Please note:** The WEH® Connector is specially adapted to your application and requirement, therefore the type of front seal (Pos. 7) may differ. This can be designed as an O-ring or special seal. Depending on the front seal type, maintenance may vary.



Figure 7

- ▶ Pull the sliding sleeve back (Pos. 1). The clamping jaws open.
- ▶ Insert a suitable repair tool behind the front seal (Pos. 7) with the WEH® O-ring picker, part No. E98-101969, and remove it from the recess (*Figure 7*).

**Attention:** Make sure not to damage the surface of the front seal recess when removing the old front seal. Only the tool recommended by WEH may be used.

- ▶ Clean the recess of dirt and other residues.

**Note:** Depending on the front seal type (O-ring or special seal), this must be lubricated accordingly. Special attention should be paid to the version with the O-ring front seal.

**Note:** It is only necessary to apply WEH® Lubricant if the O-ring is seated in a recess and seals the test piece on the inside or outside (plane sealings do not require lubrication).

- ▶ Insert the new front seal (Pos. 7) into the thoroughly cleaned recess. Make sure that the front seal is not twisted and is properly seated in the recess. The new front seal can be inserted without using any tools.

**Attention:** Do not use any sharp tools while assembling. Doing so may damage the front seal.

- ▶ Connect the WEH® Connector to a test piece a number of times. Visually check the connector for proper clamping and sealing function and that the clamping jaws are gripping correctly.

**Attention:** During the next pressure test, apply the test pressure to the connector and media line only gradually.



## 10. TROUBLESHOOTING

No.	Fault	Can be recognized by	Possible cause	Remedial measures
1	Gas leakage during filling/evacuation process, decreasing with increasing pressure	Sounds of escaping gas	Incorrect connection	Stop the filling/evacuation operation and reconnect the connector
			Inlet too rigid	Fit a flexible hose, for example
	Gas leakage when pressure increases	Sounds of escaping gas	Incorrect connection	Stop the filling/evacuation operation and reconnect the connector
	Faulty front seal		Stop the filling/evacuation operation	Replace the front seal, see <i>Chapter 9.4.1</i>
			Test piece damaged	Decide whether to interrupt the filling/evacuation process or to continue it
2	The sliding sleeve is either seriously damaged or broken		Excessive mechanical stress due to inappropriate handling	Return the connector to WEH for maintenance
3	Leakage on connector	Sounds of escaping gas	Defective sealing components	Send the connector to WEH for maintenance.
	Leakage in media inlet		Fittings are leaky	Tighten up fittings, see <i>Chapter 7. Installation</i>
4	Segments of the clamping jaws do not separate widely enough	Connector is seated too loosely, it sits unsteadily on the test piece	Wear	First check the test piece. If this is defective, replace the test piece. If it is in good condition, send the connector to WEH for maintenance
			Connector is not correctly connected	Repeat the connecting procedure

No.	Fault	Can be recognized by	Possible cause	Remedial measures
5	Connector wobbles despite a correct connection to the test piece	Incorrect connection geometry at test piece	Wear on geometry of the test piece's connection parts	Replace test piece
			Wear on the connector's clamping jaws	Return the connector to WEH for maintenance
6	Clamping jaws deformed	The sliding sleeve can no longer be connected	Excessive mechanical stress due to inappropriate handling	Return the connector to WEH for maintenance
7	Clamping jaws do not close	The sliding sleeve can no longer be connected	Wrong test piece	Use correct test piece

If you should encounter any other problems, please contact WEH or your responsible distributor.

## 11. DISPOSAL

- ▶ Dispose of the WEH® Product appropriately when you no longer need it. Observe the national and local disposal regulations valid at the time of disposal.

## 12. ACCESSORIES | SPARE PARTS

### Screw plug for plug version

If the WEH® Connector is used as a plug, the 'B1' port must be closed with a brass screw plug. The operator must check that the seal is compatible with the media.

Part No.	Description	Connection (male thread)	Pressure range
E69-9200	Screw plug	G1/8"	0 - 50 bar

### Spare parts

The following parts are available for maintenance of the WEH® Product:

Part No.	Position	Description
on request	Pos. 7	Front seal

When ordering, please indicate the part no. marked on the WEH® Product.

**Please note:** For the correct use of WEH® Spare parts, please refer to *Chapter 9. Inspection / Maintenance on page 21*.

# Typ TW711 / TW712

WEH® Adapter zur Druck- und Funktionsprüfung von Kraftstoff-  
leitungen an Rohren mit Bund oder Sicke

## INHALT

---

<b>1.</b>	<b>EINLEITUNG</b>	<b>30</b>
1.1	Zu Ihrer Orientierung	30
1.2	Allgemeine Angaben	31
1.3	Gewährleistung und Haftung	31
1.4	Allgemeine Sicherheitshinweise	32
1.5	Definition von Fachpersonal	33
<b>2.</b>	<b>BESTIMMUNGSGEMÄSSE VERWENDUNG</b>	<b>34</b>
<b>3.</b>	<b>PRODUKTÜBERSICHT / PRODUKTBESCHREIBUNG</b>	<b>35</b>
<b>4.</b>	<b>TECHNISCHE DATEN</b>	<b>37</b>
<b>5.</b>	<b>LAGERN</b>	<b>38</b>
5.1	Sicherheitshinweise zum sachgerechten Lagern	38
5.2	Lagern	39
<b>6.</b>	<b>BENÖTIGTE HILFSMITTEL</b>	<b>39</b>

<b>7. INSTALLIEREN</b>	<b>40</b>
7.1 Sicherheitshinweise zum Installieren	40
7.2 Medienleitung installieren	41
7.3 Dichtheit der Verbindung prüfen	41
<b>8. BEDIENEN</b>	<b>42</b>
8.1 Sicherheitshinweise zum Bedienen	42
8.2 Anschließen	43
8.3 Abschließen	44
<b>9. INSPIZIEREN   WARTEN</b>	<b>45</b>
9.1 Sicherheitshinweise zum Inspizieren und Warten	45
9.2 Wartungsintervalle	46
9.3 Übersicht Mindestintervalle für Inspektion und Wartung	46
9.4 Warten	47
<b>10. FEHLERBEHEBEN</b>	<b>49</b>
<b>11. ENTSORGEN</b>	<b>51</b>
<b>12. ZUBEHÖR   ERSATZTEILE</b>	<b>51</b>

Die deutsche Version ist das Original.

**Hersteller:** WEH GmbH Verbindungstechnik - im Nachfolgenden „WEH“ genannt.

## 1. EINLEITUNG

---

Sehr geehrter Kunde,

wir freuen uns, dass Sie sich für den Einsatz unseres Produktes entschieden haben. Die WEH® Adapter TW711 und TW712 wurden zur Druck- und Funktionsprüfung von Bauteilen mit Sicke, Bund oder Außengewinde entwickelt.

**Beachten und befolgen Sie sämtliche Hinweise und Warnungen in dieser Betriebsanleitung. Eine Nichteinhaltung kann zu Personen- und/oder Sachschäden führen.**

### 1.1 Zu Ihrer Orientierung

Die in dieser Betriebsanleitung verwendeten Kennzeichen und Symbole haben folgende Bedeutung:

- Aufzählungen sind durch einen Strich gekennzeichnet
- ▶ Handlungsaufforderungen sind durch einen Pfeil gekennzeichnet

### Abbildungen

Die in dieser Betriebsanleitung verwendeten Abbildungen dienen nur zur Veranschaulichung und können in einigen Einzelheiten vom tatsächlichen Produkt abweichen. Verbindliche Angaben entnehmen Sie bitte den jeweiligen Einzelaufträgen.

### Abkürzungen / Begriffsdefinitionen

Erläuterung der Abkürzungen sowie Begriffsdefinitionen finden Sie im mitgeltenden Technischen Anhang des entsprechenden Katalogs oder unter [www.weh.com](http://www.weh.com)

### Definition von Signalwörtern

**Vorsicht:** Eine mit „Vorsicht“ gekennzeichnete Passage warnt Sie vor Gefahren, die zu einer leichten, in der Regel reversiblen Verletzung von Personen führen kann, falls Sie diesen Hinweis nicht beachten.

**Achtung:** Eine mit „Achtung“ gekennzeichnete Passage warnt Sie vor Situationen, die zu Sachschäden und Störungen im Betriebsablauf führen können, falls Sie diesen Hinweis nicht beachten.

**Hinweis:** Eine mit „Hinweis“ gekennzeichnete Passage weist Sie auf darauf hin, dass es zu Störungen im Betriebsablauf kommen kann, falls Sie diesen Hinweis nicht beachten.

**Bitte beachten:** Eine mit „Bitte beachten“ gekennzeichnete Passage gibt Ihnen zusätzliche Hinweise für einen reibungslosen Betriebsablauf.

## 1.2 Allgemeine Angaben

- ▶ Lesen Sie zuerst diese Betriebsanleitung, um Fehlanwendung und dadurch bedingte Schäden zu vermeiden!
- In dieser Betriebsanleitung erhalten Sie alle notwendigen Informationen und Anleitungen zum WEH® Produkt.
- ▶ Überprüfen Sie anschließend Ihre Lieferung. Jeder Lieferung muss beiliegen:
  - ein Lieferschein
  - ein Original WEH Prüfprotokoll (nicht bei Ersatzteilen)
  - eine WEH Betriebsanleitung
- ▶ Wenden Sie sich umgehend an WEH oder den entsprechenden Vertriebspartner, falls Ihnen Unterlagen fehlen.

## 1.3 Gewährleistung und Haftung

- Es gelten unsere allgemeinen Geschäftsbedingungen.
- ▶ Lesen Sie die Betriebsanleitung und die Sicherheitshinweise sorgfältig durch und beachten Sie die darin gemachten Angaben.
- Die Angaben dieser Betriebsanleitung entsprechen den zum Zeitpunkt der Drucklegung vorhandenen Kenntnissen. Eine Nichtbefolgung führt zum Verlust der Gewährleistung. Sämtliche andere Vereinbarungen bedürfen der schriftlichen Zustimmung der Leitung der Abteilung Qualität bei WEH.
- Bei Verstoß gegen diese Betriebsanleitung erlöschen sämtliche Gewährleistungsansprüche. WEH übernimmt ferner keinerlei Haftung für Mangelfolgeschäden, insbesondere Schäden an anderen Rechtsgütern und/oder Personenschäden.

**Vorsicht:** WEH® Produkte dürfen nur von WEH instand gesetzt werden.

- ▶ Kontaktieren Sie WEH oder den zuständigen Vertriebspartner, falls das WEH® Produkt gewartet werden muss. Spezielle Wartungsarbeiten, die der Betreiber selbst durchführen darf, sind in dieser Betriebsanleitung beschrieben und speziell gekennzeichnet.
- ▶ Verwenden Sie nur Original WEH® Ersatzteile. Diese sind auf das WEH® Produkt genau abgestimmt und unterliegen strengen Qualitätskontrollen.
- Sie sind für die ordnungsgemäße Durchführung des Austausches bzw. der Reparatur selbst verantwortlich. WEH ist hierfür sowie für etwaige Beschädigungen oder Schäden nicht verantwortlich. WEH übernimmt keinerlei Garantie, Gewährleistung, Haftung, oder sonstige Verantwortung für einen von Ihnen oder Dritten durchgeführten Austausch bzw. Reparatur oder durchgeführte technische Änderungen des WEH® Produkts. Falls Sie oder Dritte nicht über die erforderliche Eignung und Qualifikation für die ordnungsgemäße Durchführung verfügen, nehmen Sie von einem Austausch bzw. einer Reparatur unbedingt Abstand. Andernfalls besteht insbesondere das Risiko, dass Sie sich und Dritte gefährden.

## 1.4 Allgemeine Sicherheitshinweise

- ▶ Halten Sie stets alle anwendbaren lokalen, nationalen und internationalen Anforderungen, Bestimmungen, Erlasse, Gesetze, Normen, Regelungen, Richtlinien, Standards, Verordnungen, Verbote und Vorschriften sowie alle anwendbaren Industrie-, Qualitäts- und Technik-Normen ein. Stellen Sie hierbei insbesondere sicher, dass Sie und sämtliche Nutzer die anwendbaren Anforderungen aus dem Arbeitsschutz, der Arbeitssicherheit und der Produktsicherheit einhalten sowie dass alle erforderlichen Genehmigungen, Zertifikate und Zulassungen vorliegen.
- ▶ Stellen Sie diese Betriebsanleitung insbesondere jedem zur Verfügung, der für die Installation, Bedienung und Wartung dieses WEH® Produktes zuständig ist.  
**Vorsicht:** Die fehlerhafte Anwendung stellt eine Gefahr für die Gesundheit den Anwender dar und kann zu Sachbeschädigung führen. Folge der fehlerhaften Anwendung können sein:
  - der Adapter oder Teile des Adapters lösen sich unter Druck
  - Medien, die unter Druck stehen, heiß oder giftig sein können, treten aus
  - Anschlusschläuche vibrieren gefährlich
- Das WEH® Produkt und diese Betriebsanleitung sind für die Verwendung durch Fachpersonal (siehe *Kapitel 1.5*) vorgesehen. Stellen Sie diese Betriebsanleitung insbesondere dem Fachpersonal zur Verfügung, das für die einzelnen Phasen des Lebenszyklus (speziell für das Lagern, Installieren, Bedienen, Inspizieren und Warten, die Fehlerbehebung und Entsorgung) des WEH® Produktes zuständig ist. Das Fachpersonal muss diese Betriebsanleitung gelesen und verstanden haben.
- ▶ Wenden Sie sich an WEH bevor Sie das WEH® Produkt einsetzen, sollten Anweisungen in dieser Betriebsanleitung unklar sein.
- ▶ Ergreifen Sie entsprechende Sicherheitsmaßnahmen, falls Bedingungen vorliegen, die den Anwender in Gefahr bringen können.
- ▶ Setzen Sie das WEH® Produkt bei Beschädigungen, welche die einwandfreie Funktion des WEH® Produktes betreffen können, bis zur Klärung des Falles nicht ein. Eine Demontage des WEH® Produktes darf nur durch WEH erfolgen.
- ▶ Beachten Sie die in der Betriebsanleitung angegebenen Montagedaten. Höhere Drehmomente/Montagedrehungen können zu Beschädigungen bzw. zu Brüchen bei Druckbeaufschlagung führen.
- ▶ Verwenden Sie keine anderen Hilfs- bzw. Reinigungsmittel als in dieser Betriebsanleitung vorgegeben. Die Verwendung von anderen Hilfs- bzw. Reinigungsmitteln kann zu Schäden am WEH® Produkt bzw. an nachgelagerten Komponenten führen.
- Für Schäden, die durch äußere Kräfte oder andere äußere Einwirkungen entstehen, ist WEH nicht verantwortlich.



- Sachgemäßer Transport und fachgerechte Lagerung des WEH® Produktes werden vorausgesetzt.
- ▶ Bringen Sie auf das WEH® Produkt keine äußeren Kräfte auf. Stützen Sie sich daher weder auf dem (angeschlossenen) WEH® Produkt ab, lehnen Sie sich nicht daran an, hängen Sie sich nicht an das WEH® Produkt und steigen Sie keinesfalls auf das WEH® Produkt. Unterlassen Sie zudem auf das WEH® Produkt zu hämmern oder Ähnliches. Derartige Kräfteinwirkungen können zu Sach- und Personenschäden führen. Stellen Sie zudem sicher, dass das WEH® Produkt vor Betreten oder Überfahren jeglicher Art geschützt ist.
- Das WEH® Produkt kann durch die möglichen hindurch strömenden Fluide, je nach Anwendung und Betriebssituation, sehr heiß oder sehr kalt werden. Beachten Sie diesbezüglich die nationalen und internationalen Regelungen zum Arbeitsschutz, um Verletzungen vorzubeugen.

## 1.5 Definition von Fachpersonal

- Fachpersonal im Sinne dieser Anleitung sind Personen, die auf Grund Ihrer fachlichen Ausbildung, Ihrer Kenntnisse (inklusive der einschlägigen Normen und Vorschriften), Ihrer Erfahrung und Ihrer handwerklichen Fähigkeiten die Ihnen im Zusammenhang mit WEH® Produkten übertragenen Aufgaben und Arbeiten eigenständig beurteilen und ordnungsgemäß ausführen können und hierbei auch eigenständig in der Lage sind, etwaige Gefahren frühzeitig zu erkennen und zu vermeiden.

## 2. BESTIMMUNGSGEMÄSSE VERWENDUNG

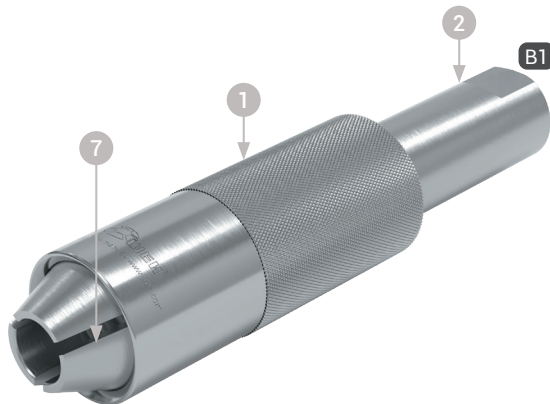
---

- Die WEH® Adapter TW711 und TW712 wurden zur Druck- und Funktionsprüfung von Bauteilen mit Sicke, Bund oder Außengewinde entwickelt. Es gibt die Adapter in vielen verschiedenen Größen und Formen.
- ▶ Stellen Sie stets sicher, dass das WEH® Produkt ausschließlich innerhalb der bestimmungsgemäßen Verwendung zum Einsatz kommt. Beachten Sie hierfür insbesondere die technischen Daten des WEH® Produktes im *Kapitel 4* sowie die Kennzeichnung auf dem WEH® Produkt selbst.
- Falls Sie bei uns eine kundenspezifische Anpassung beauftragt haben, wurde der WEH® Adapter speziell an die von Ihnen in Ihrer Bestellung zu Grunde gelegten Anforderungen und Anwendungen angepasst. Die zugrunde gelegten Anforderungen und Anwendungen gelten nur als bestätigt, insofern diesen ausdrücklich und schriftlich durch WEH zugestimmt wurde. Der Adapter darf für andere Anwendungen und Anforderungen, als die von WEH schriftlich Bestätigten nicht verwendet werden.
- Dieses WEH® Produkt ist grundsätzlich als druckhaltendes Ausrüstungsteil gemäß Artikel 2 Nr. 5 der Druckgeräterichtlinie 2014/68/EU eingestuft und wird als rohrleitungsähnlich betrachtet. Dieses WEH® Produkt darf nicht eingesetzt werden als Ausrüstungsteil mit Sicherheitsfunktion. Ferner wird darauf hingewiesen, dass dieses WEH® Produkt gemäß den Anforderungen des Artikels 4 Absatz 3 der Druckgeräterichtlinie 2014/68/EU ausgelegt und in Verkehr gebracht wird. Die Bewertung bzgl. einer anderweitigen Einstufung kann jedoch auf Anfrage erfolgen.

**Vorsicht:** Jede über den Einsatzbereich hinausgehende Verwendung gilt als nicht bestimmungsgemäß und kann zu Personen- und/oder Sachschäden führen.

### 3. PRODUKTÜBERSICHT / PRODUKTBESCHREIBUNG

#### WEH® Adapter TW711

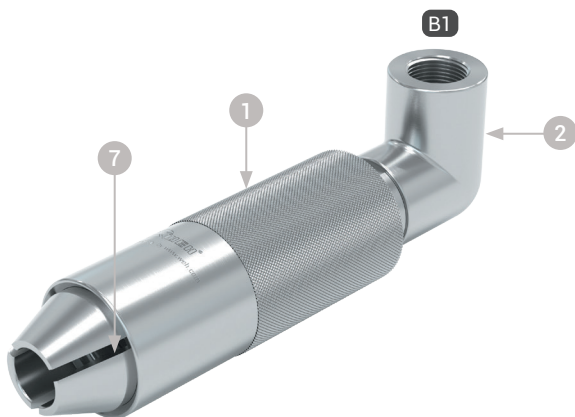


Pos.	Bezeichnung
1	Schiebehülse
2	Unterteil
7	Frontdichtung (innenliegend)

#### Begriffserklärung Anschlüsse

B1	Betriebsmedienzuleitung
----	-------------------------

## WEH® Adapter TW712



Pos.	Bezeichnung
1	Schiebehülse
2	Unterteil
7	Frontdichtung (innenliegend)

### Begriffserklärung Anschlüsse

B1	Betriebsmedienzuleitung
----	-------------------------

## 4. TECHNISCHE DATEN

**Bitte beachten:** Abhängig vom Anwendungsfall können die technischen Daten Ihres WEH® Produkts von dieser Betriebsanleitung abweichen. Beachten Sie daher stets die Kennzeichnung auf dem WEH® Produkt selbst.

Eigenschaften	Standardausführung
Nennweite (DN)	3,5 mm
Max. zulässiger Betriebsdruck PS	10 bar
Temperaturbereich	+5 °C bis +100 °C
Medium	Benzin, Diesel, Druckluft
Teilewerkstoffe	Verschleißfester Edelstahl, korrosionsbeständige Oberflächen
Dichtungswerkstoffe	FKM
Ausführung	Mit oder ohne integriertem Absperrventil
Betätigung	Manuelle Betätigung über Schiebehülse

## 5. LAGERN

---

### 5.1 Sicherheitshinweise zum sachgerechten Lagern

- ▶ Stellen Sie sicher, dass die folgenden Sicherheitshinweise und Lagerzeiten stets eingehalten werden.  
**Achtung:** Eine nicht sachgerechte Lagerung des WEH® Produktes kann die maximale Lebensdauer erheblich reduzieren.
- ▶ Schützen Sie das WEH® Produkt grundsätzlich vor Beschädigungen, Verschmutzungen, unsachgemäßer Lagerung und übermäßigen Temperaturschwankungen.
- ▶ Lagern Sie das WEH® Produkt, dessen Zubehör und Ersatzteile, bis zum Einsatz und während der Nichtbenutzung, in der Originalverpackung.
- ▶ Lagern Sie das WEH® Produkt in einem Temperaturbereich von -40 °C bis +40 °C. Lagertemperaturen außerhalb dieses Bereichs können die Lebensdauer des WEH® Produkts beeinträchtigen.
- ▶ Lagern Sie das WEH® Produkt nicht im Bereich von Wärmequellen. Vermeiden Sie Feuchtigkeit und Kondenswasser. Die für die Lagerung optimale relative Luftfeuchtigkeit liegt bei ca. 65 %.
- ▶ Lagern Sie das WEH® Produkt nicht im gleichen Raum wie Lösungsmittel, Chemikalien, Säuren, Kraftstoffe und Desinfektionsmittel.
- ▶ Schützen Sie das WEH® Produkt vor Licht, besonders vor direkter Sonneneinstrahlung, Sauerstoff, Ozon, Wärme, UV-Strahlen, Lösungsmittel und anderen negativen Umwelteinflüssen. Die Lebensdauer der Elastomere oder Kunststoffteile kann durch diese Einflüsse wesentlich verkürzt werden.
- ▶ Vermeiden Sie die Überlagerung von WEH® Produkten. Die Ein- und Auslagerung sollte nach dem First-in-First-out-Prinzip (FIFO) erfolgen.

## 5.2 Lagern

- ▶ Beachten Sie die Sicherheitshinweise unter *Kapitel 5.1* und halten Sie die nachfolgenden Lagerzeiten ein. Die zulässige Lagerzeit gilt ab dem Auslieferungsdatum (Rechnungs-/Warenausgangsdatum seitens WEH oder dem Vertriebspartner). Sollte das WEH® Produkt in einem Komplettsystem verbaut sein, so ist die Lagerzeit von der Komponente abhängig, welche die geringste Lagerzeit aufweist.

Bis 3 Jahre	<p>▶ Kontrollieren Sie vor Einsatzbringung die Oberfläche von außenliegenden Dichtungen auf Risse.  <b>Achtung:</b> Elastomerdichtungen mit feinen Rissen an der Oberfläche müssen ersetzt werden.  <b>Hinweis:</b> Falls Zweifel über den Alterungszustand des gelagerten WEH® Produktes entstehen, kontaktieren Sie WEH.  <b>Achtung:</b> Vor Inbetriebnahme muss das WEH® Produkt auf Dichtheit geprüft werden. Siehe hierzu das <i>Kapitel 7. Installieren auf Seite 40.</i></p>
> 3 Jahre	<p>- Vor Einsatzbringung müssen sämtliche Elastomerdichtungen ausgetauscht werden.  ▶ Senden Sie hierzu das WEH® Produkt zur Wartung an WEH.</p>

## 6. BENÖTIGTE HILFSMITTEL

Artikelnummer	Bezeichnung	Installieren	Warten & Schmierem
--	Geeigneter Gabelschlüssel (passend für die entsprechenden Schlüsselweiten)	X	
--	Geeigneter kalibrierter Drehmomentschlüssel (passend für das entsprechende Drehmoment)	X	
--	Geeigneter Maulschlüsseinsatz (passend für die entsprechenden Schlüsselweiten und den Drehmomentschlüssel)	X	
W136538	WEH® O-Ring-Picker Set*		X
E99-40	WEH® Schmiermittel		X

\* Der WEH® O-Ring-Picker ist aus Kunststoff und ist als Verbrauchsmaterial anzusehen.

## 7. INSTALLIEREN

---

### 7.1 Sicherheitshinweise zum Installieren

- ▶ Überprüfen Sie die Angaben der Betriebsanleitung und die Kennzeichnung auf dem WEH® Produkt. Die Angaben müssen mit Ihrem Einsatzfall übereinstimmen.
- ▶ Schließen Sie nur einwandfreie Anschlüsse an das WEH® Produkt an.
- ▶ Überprüfen Sie das WEH® Produkt auf Transportschäden, Verunreinigungen und Beschädigungen. Stellen Sie etwas am WEH® Produkt fest, darf dieses nicht mehr verwendet werden. Tauschen Sie das WEH® Produkt aus oder schicken Sie es zur Wartung an WEH.
- ▶ Entfernen Sie die Transportsicherungen (wie z. B. Schutzkappen) vor der Installation des WEH® Produkts. Transportsicherungen dienen dem Zweck das Produkt und die Anschlüsse beim Transport und während der Lagerung zu schützen. Die Transportsicherungen sind nicht darauf ausgelegt z. B. Druck zu tragen oder als Stopfen verwendet zu werden.
- ▶ Stellen Sie sicher, dass innerhalb der Anlage kein Druck ansteht. Der Einbau muss drucklos erfolgen.
- ▶ Vermeiden Sie kurze Medienleitungen und enge Biegeradien. Querkräfte können zu Undichtigkeiten und Beschädigungen von Bauteilen führen und erschweren den Anschlussvorgang des WEH® Adapters.
- ▶ Verwenden Sie, um zusätzliche Arbeitssicherheit zu erreichen, bei gefährlichen Anwendungen bzw. Umständen Fangseile, Zwischenwände etc.
- ▶ Verwenden Sie USIT-Ringe zum Abdichten der Anschlüsse.
- ▶ Überprüfen Sie vor der Installation, ob die Gegenstücke für die Montagedaten (siehe *Kapitel 7.2 Medienleitung installieren*), welche WEH für das WEH® Produkt vorgibt, ausgelegt sind.  
**Hinweis:** Die angegebenen Montagedaten (Drehmomente, Montagedrehungen etc.) sind Werte, die ausschließlich für die Komponenten gelten, die im Lieferumfang von WEH enthalten sind.



## 7.2 Medienleitung installieren

**Bitte beachten:** Nachfolgende Erwähnungen von Bezeichnungen und Positionsnummern beziehen sich auf das *Kapitel 3. Produktübersicht / Produktbeschreibung auf Seite 35.*

- ▶ Schrauben Sie die Schutzkappe von dem Anschluss ab.
- ▶ Spannen Sie den WEH® Adapter zum Montieren der Medienleitung in einen Schraubstock mit Aluminiumspannbacken.  
**Hinweis:** Der WEH® Adapter darf beim Einspannen nicht beschädigt werden.
- ▶ Verschrauben Sie die Betriebsmedienzuleitung „B1“ druckdicht mit dem Anschluss der Medienleitung.  
Anzugsdrehmoment siehe untenstehende Tabelle.

Anschluss	Drehmoment
G1/8" IG	10 Nm ± 2 Nm

- ▶ Beachten Sie die auf Ihrem Gerät gekennzeichnete Anschlussgröße.
  - Weitere Anschlussgrößen auf Anfrage möglich.

## 7.3 Dichtheit der Verbindung prüfen

- ▶ Schließen Sie den Adapter an einen geschlossenen Prüfling an.
- ▶ Beaufschlagen Sie den Adapter und die Medienleitung langsam mit dem Betriebsdruck.  
**Vorsicht:** Der Prüfling muss verschlossen sein.
- ▶ Überprüfen Sie den Adapter, die Verbindung zur Medienleitung und die Verbindung zum Prüfling auf Dichtheit.  
**Achtung:** Verwenden Sie kein ammoniakhaltiges Lecksuchspray, da dies zu Korrosion am Adapter führen kann.

## 8. BEDIENEN

---

### 8.1 Sicherheitshinweise zum Bedienen

**Bitte beachten:** Nachfolgende Erwähnungen von Bezeichnungen und Positionsnummern beziehen sich auf das *Kapitel 3. Produktübersicht / Produktbeschreibung auf Seite 35*.

- ▶ Beaufschlagen Sie den WEH® Adapter erst dann mit Druck, wenn er an einem Prüfling angeschlossen ist.
- ▶ Wenden Sie beim Betätigen keine Gewalt an.
- ▶ Beachten Sie **genau** die richtige Reihenfolge des An- und Abschließens des WEH® Adapters.
- ▶ Schließen Sie den WEH® Adapter nur im drucklosen Zustand an und ab.
- ▶ Schließen Sie den WEH® Adapter nur an einwandfreie Prüflinge an.
- ▶ Setzen Sie den WEH® Adapter gerade an, dadurch wird einer Beschädigung der Frontdichtung durch eventuell scharfe Kanten am Prüfling vorgebeugt.
- ▶ Ziehen Sie nach dem Anschließen immer am WEH® Adapter, um sicherzustellen, dass er richtig angeschlossen ist und dass die Spannzangen greifen, bevor Sie das unter Druck stehende Medium zuführen.
- ▶ Die Spannzangen des WEH® Adapters sind so konzipiert, dass Sie am Prüfling greifen. Halten Sie Ihre Finger oder andere Gegenstände von den Spannzangen fern, wenn Sie den Adapter betätigen.  
**Vorsicht:** Mögliche Folgen bei Nichtbeachtung können sein:
  - Quetschgefahr der Finger beim Anschließen
  - Gefährdung der Gesundheit von Personen und Sachbeschädigung durch Teile, die sich unter hohem Druck lösen
  - Gefährdung der Gesundheit von Personen durch Medien, die mit hohem Druck freigesetzt werden
  - Gefährdung der Gesundheit von Personen durch Schläuche, die nicht gesichert sind
- ▶ Bei WEH® Adaptern ohne integriertes Absperrventil kann beim Abschließen Prüfmedium austreten. Schließen Sie deshalb den Adapter nur bei absolut sicheren Verhältnissen ab.

## 8.2 Anschließen

- ▶ Greifen Sie den Adapter an der Schiebehülse (Pos. 1). Stellen Sie sicher, dass die Spannzangen geöffnet sind und aus der Schiebehülse (Pos. 1) herausragen.
- ▶ Stecken Sie den Adapter gerade auf den Prüfling auf. Dadurch wird eine Beschädigung der Frontdichtung durch eventuell scharfe Kanten am Prüfling vorgebeugt und das richtige Anschließen gewährleistet.

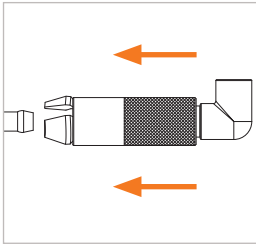


Abbildung 1

- ▶ Schieben Sie den Adapter an der Schiebehülse (Pos. 1) nach vorne auf den Prüfling auf (Abbildung 1). Der Adapter muss mit einem deutlichen hörbaren Klick einrasten. Der Sprengring muss sichtbar sein (Abbildung 2) und die Außenkanten des Spannzangenaußendurchmessers dürfen nicht mehr sichtbar sein (Abbildung 3 und Abbildung 4).

**Achtung:** Klickt der Adapter nicht ein, die Außenkanten des Spannzangenaußendurchmessers sind sichtbar oder der Sprengring ist nicht sichtbar, so ist der Adapter nicht richtig angeschlossen. Der Adapter kann abspringen und Medium kann austreten.

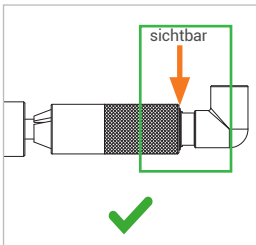


Abbildung 2

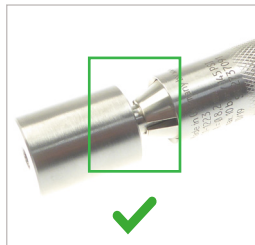


Abbildung 3

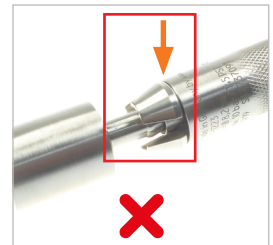


Abbildung 4

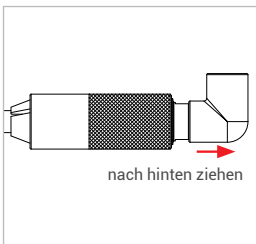


Abbildung 5

- ▶ Ziehen Sie leicht am Unterteil (Pos. 2) (Roter Pfeil Abbildung 5) des Adapters entgegen der Anschlussrichtung um sicherzustellen, dass der Adapter richtig angeschlossen ist.
- Der Adapter ist nun druckdicht mit dem Prüfling verbunden.
- ▶ Beaufschlagen Sie, um den Prüfvorgang zu beginnen, die Betriebsmedienzuleitung „B1“ mit Druck.

### 8.3 Abschließen

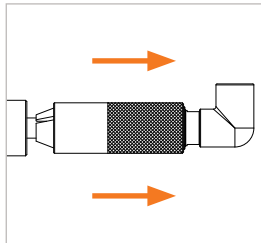


Abbildung 6

- ▶ Nach Beendigung des Prüfvorganges entlüften Sie die Medienleitung vollständig.  
**Vorsicht:** Stellen Sie zuerst den druckfreien Zustand her, bevor Sie die Verbindung lösen.
- ▶ Greifen Sie den Adapter an der Schiebehülse (Pos. 1).
- ▶ Ziehen Sie die Schiebehülse (Pos. 1) zurück (*Abbildung 6*). Dadurch wird die Verbindung zum Prüfling gelöst und der Adapter kann gerade nach hinten vom Prüfling abgenommen werden.  
**Achtung:** Falls sich der Adapter nicht vom Prüfling abnehmen lässt:
  - Warten Sie kurze Zeit
  - Wenden Sie niemals Kraft auf
  - Verwenden Sie keine Hilfsmittel (z. B. Hammer)

## 9. INSPIZIEREN | WARTEN

**Bitte beachten:** Nachfolgende Erwähnungen von Bezeichnungen und Positionsnummern beziehen sich auf das *Kapitel 3. Produktübersicht / Produktbeschreibung auf Seite 35.*

**Achtung:** Werden Beschädigungen am WEH® Produkt oder Einschränkungen in der Funktion erkannt, sind Maßnahmen gemäß *Kapitel 10. Fehlerbeheben auf Seite 49* zu treffen. Beschädigte oder undichte WEH® Produkte müssen zur Wartung an WEH geschickt werden.

### 9.1 Sicherheitshinweise zum Inspizieren und Warten

- Das WEH® Produkt muss für Wartungsarbeiten drucklos sein und abgebaut werden.
- ▶ Überprüfen Sie das WEH® Produkt nach den Wartungsarbeiten auf Leckage. Beachten Sie hierzu das *Kapitel 7. Installieren auf Seite 40.*
- Zum Zweck der Inspektion ist es nicht notwendig, dass das WEH® Produkt abgebaut wird, es muss allerdings drucklos sein.
- ▶ Verwenden Sie nur Original WEH® Ersatzteile. Diese sind auf den Anwendungsfall genau abgestimmt und unterliegen strengen Qualitätskontrollen.
- ▶ Beschädigen Sie keinesfalls Dichtflächen oder Dichtungskomponenten.
- ▶ Kontrollieren Sie vor jeder Wiedermontage die Bauteile, Gewinde und falls vorhanden die Dichtflächen auf Beschädigung und Verunreinigungen. Stellen Sie Beschädigungen fest, tauschen Sie das WEH® Produkt aus oder schicken Sie es zur Wartung an WEH ein. Das WEH® Produkt darf nicht mehr verwendet werden.
- ▶ Montieren Sie die WEH® Ersatzteile absolut öl-, fett- und staubfrei.
- ▶ Reinigen Sie vor der Wiedermontage das WEH® Produkt und die entsprechenden Bauteile durch Abblasen mit ölfreier Druckluft und entfernen Sie anhaftenden Schmutz mit einem feuchten, weichen und fusselfreien Tuch. Verwenden Sie hierzu keine Lösemittel, sondern ausschließlich klares Wasser als Reinigungsmittel.  
**Achtung:** Verwenden Sie zum Abblasen des Schmutzes nur ölfreie Druckluft.  
**Hinweis:** Achten Sie darauf, dass kein Reinigungsmittel in den Gaskanal gelangt.

## 9.2 Wartungsintervalle

- ▶ Inspizieren Sie das WEH® Produkt in regelmäßigen Abständen in Abhängigkeit von den jeweiligen Betriebsbedingungen, jedoch mindestens alle 3 Monate. Nach spätestens 20.000 Zyklen oder 3 Jahren, je nachdem was zuerst eintritt, beginnend ab dem Auslieferungsdatum (Rechnungs-/Warenausgangsdatum seitens WEH oder des Vertriebspartners), muss das WEH® Produkt zur Wartung an WEH geschickt werden.

Diese Intervalle können jedoch auch deutlich kürzer ausfallen, was insbesondere abhängig von Ihrer individuellen Applikation/Anwendung ist. Schicken Sie daher das WEH® Produkt bei Auffälligkeiten – insbesondere im Rahmen der regelmäßigen Inspektion – umgehend zur Wartung an WEH. Sollten Sie das WEH® Produkt nicht regelmäßig inspizieren und zur Wartung an WEH schicken, kann es insbesondere zu Undichtigkeiten und damit unter Umständen auch zu Ausfällen und/oder Unfällen kommen

## 9.3 Übersicht Mindestintervalle für Inspektion und Wartung

Nr.	Inspektion	Erstmalig (vor Inbetrieb- nahme)	Täglich	Wöchentlich
1	Frontdichtung auf Beschädigung und Sauberkeit prüfen	X	X	
2	Äußeren Zustand auf Beschädigung und Sauberkeit prüfen	X		X
3	Schiebehülse auf Beschädigung prüfen	X		X
4	Spannzangen auf Funktion und Beschädigung prüfen	X		X
5	Adapter und Medienleitung auf Leckage prüfen (siehe Kapitel 7. Installieren)	X		X
Nr.	Wartung	Nach 1.000 Zyklen	Nach 3 Jahren oder 20.000 Zyklen*	
6	Frontdichtung austauschen (siehe Kapitel 9.4.1 Austausch der Frontdichtung (Pos. 7))	X		
7	Einsendung zur Werkswartung an WEH		X	

\* je nachdem was zuerst eintritt

**Hinweis:** Zuordnung der Komponenten siehe Kapitel 3. Produktübersicht / Produktbeschreibung auf Seite 35.

- ▶ Legen Sie, falls Ihre Applikation/Anwendung es erfordert, kürzere Intervalle als oben vorgegeben, fest. Eine signifikante Verkürzung der Mindestintervalle ist insbesondere dann geboten, wenn sich Auffälligkeiten bei den Inspektionen zeigen.

## 9.4 Warten

**Bitte beachten:** Nachfolgende Erwähnungen von Bezeichnungen und Positionsnummern beziehen sich auf das *Kapitel 3. Produktübersicht / Produktbeschreibung auf Seite 35.*

- ▶ Tauschen Sie das WEH® Produkt aus oder schicken Sie es zur Wartung an WEH ein, falls Sie Undichtigkeiten oder Fehlfunktionen feststellen. Das Produkt darf nicht mehr verwendet werden.

### Die folgenden Wartungsarbeiten dürfen vom Betreiber durchgeführt werden:

- ▶ Überprüfen Sie das WEH® Produkt auf Dichtheit und richtige Funktion - Leichtgängigkeit, ausreichende Schmierung, Verschleiß, Verschmutzung und Beschädigungen.
- ▶ Kontrollieren Sie die Dichtungsoberfläche der Frontdichtung (Pos. 7). Sind Risse oder Beschädigungen auf der Frontdichtung sichtbar, tauschen Sie diese aus. Beachten Sie hierzu das *Kapitel 9.4.1 Austausch der Frontdichtung (Pos. 7) auf Seite 48.*
- ▶ Kontrollieren Sie die Schmierung der Frontdichtung (Pos. 7). Ist die Frontdichtung trocken, bringen Sie eine dünne Schicht des WEH® Schmiermittels auf. Spezielle Medien können Werkstoffe extrahieren und so zum Schrumpfen des verwendeten Dichtungswerkstoffes führen und dadurch die Dichtfunktion beeinträchtigen.
- ▶ Kontrollieren Sie die Spannzangen regelmäßig auf Verschmutzung. Schmutzpartikel können die Spann- und Dichtfunktion beeinträchtigen und eine Gefahrenquelle darstellen.

### 9.4.1 Austausch der Frontdichtung (Pos. 7)

**Bitte beachten:** Der WEH® Adapter ist speziell an Ihre Anwendung und Anforderung angepasst, daher kann sich die Art der Frontdichtung (Pos. 7) unterscheiden. Diese kann als O-Ring oder Sonderdichtung ausgeführt sein. Je nach Frontdichtungsart kann die Wartung unterschiedlich ausfallen.



Abbildung 7

- ▶ Ziehen Sie die Schiebehülse (Pos. 1) zurück. Die Spannzangen öffnen sich.
- ▶ Untergraben Sie die Frontdichtung (Pos. 7) mit dem WEH® O-Ring-Picker Art. Nr. E98-101969 und entnehmen Sie ihn aus dem Einstich (*Abbildung 7*).  
**Achtung:** Beim Entfernen der Frontdichtung darf die Oberfläche des Einstiches für die Frontdichtung nicht beschädigt werden. Es darf nur das von WEH empfohlene Werkzeug verwendet werden.

- ▶ Säubern Sie den Einstich von Schmutz oder sonstigen Rückständen.

**Hinweis:** Je nach Frontdichtungsart (O-Ring oder Sonderdichtung) muss diese entsprechend geschmiert werden. Besonders zu beachten ist die Ausführung mit der O-Ring Frontdichtung.

**Hinweis:** Das Aufbringen des WEH® Schmiermittels ist nur dann notwendig, wenn der O-Ring in einem Einstich sitzt und an dem Prüfling innen oder außen abdichtet (Planabdichtungen müssen nicht geschmiert werden).

- ▶ Legen Sie die neue Frontdichtung (Pos. 7) in den gesäuberten Einstich ein. Achten Sie darauf, dass die Frontdichtung nicht in sich verdreht ist und dass Sie richtig im Einstich liegt. Die Montage der neuen Frontdichtung erfolgt ohne Werkzeug.  
**Achtung:** Benutzen Sie zur Montage kein spitzes Werkzeug. Die Frontdichtung kann dadurch beschädigt werden.
- ▶ Schließen Sie den WEH® Adapter mehrmals an einem Prüfling an. Stellen Sie durch eine Sichtprüfung fest, ob die Spann- und Dichtfunktion korrekt ist und die Spannzangen richtig greifen.  
**Achtung:** Beaufschlagen Sie den Adapter bei der nächsten Druckprüfung nur langsam mit dem Prüfdruck.



## 10. FEHLERBEHEBEN

Nr.	Fehler	Zu erkennen durch	Mögliche Ursache	Abhilfe
1	Gasaustritt beim Füll-/ Evakuervorgang, bei steigendem Druck nachlassend	Ausblasgeräusche	Unsachgemäßes Anschließen	Füll-/ Evakuervorgang stoppen, Adapter nochmals anschließen
			Zuleitung zu starr	z. B. flexiblen Schlauch anbringen
1	Gasaustritt bei steigendem Druck verstärkt	Ausblasgeräusche	Unsachgemäßes Anschließen	Füll-/ Evakuervorgang stoppen, Adapter nochmals anschließen
			Frontdichtung schadhaft	Füll-/ Evakuervorgang stoppen Frontdichtung austauschen, siehe Kapitel 9.4.1
2	Schiebehülse ist stark beschädigt oder gebrochen		Prüfling beschädigt	Entscheiden, ob Füll-/ Evakuervorgang unterbrechen oder fortfahren Prüfling wechseln
3	Leckage am Adapter Leckage an der Betriebsmedienzuleitung	Ausblasgeräusche	Mechanische Überbeanspruchung durch unsachgemäßen Umgang	Adapter zur Wartung an WEH schicken
			Defekte Dichtungskomponenten	Adapter zur Wartung an WEH senden.
4	Segmente der Spannzangen werden nicht ausreichend gespreizt	Adapter sitzt zu locker, wackelt auf dem Prüfling	Verschraubungen sind undicht	Festziehen der Verschraubungen, siehe Kapitel 7. Installieren
			Verschleiß	Überprüfen Sie zuerst den Prüfling. Ist dieser defekt, ersetzen Sie den Prüfling. Ist es in Ordnung, senden Sie den Adapter zur Wartung an WEH
			Adapter ist nicht richtig angeschlossen	Anschlussvorgang wiederholen

Nr.	Fehler	Zu erkennen durch	Mögliche Ursache	Abhilfe
5	Adapter wackelt trotz richtigem Anschließen auf dem Prüfling	Anschlussgeometrie am Prüfling ist nicht in Ordnung	Abnutzung an der Anschlussgeometrie des Prüflings	Prüfling austauschen
			Abnutzung an den Spannzangen des Adapters	Adapter zur Wartung an WEH schicken
6	Spannzangen deformiert	Schiebehülse lässt sich nicht mehr schließen	Mechanische Überbeanspruchung durch unsachgemäßen Umgang	Adapter zur Wartung an WEH schicken
7	Spannzangen schließen nicht	Schiebehülse lässt sich nicht mehr schließen	Falscher Prüfling	Richtigen Prüfling verwenden

Bei sonstigen Problemen kontaktieren Sie bitte WEH oder Ihren zuständigen Vertriebspartner.

## 11. ENTSORGEN

- ▶ Entsorgen Sie das WEH® Produkt fachgerecht, wenn Sie es nicht mehr benötigen. Beachten Sie die zum Zeitpunkt der Entsorgung gültigen nationalen und örtlichen Bestimmungen zur Entsorgung.

## 12. ZUBEHÖR | ERSATZTEILE

### Verschlussschraube für Stopfenversion

Sollte der WEH® Adapter als Stopfen eingesetzt werden, wird der Anschluss „B1“ mit einer Verschlussschraube aus Messing verschlossen. Die Medienverträglichkeit der Dichtung ist vom Betreiber zu prüfen.

Bestellnummer	Beschreibung	Anschluss (Außengewinde)	Druckbereich
E69-9200	Verschlussschraube	G1/8"	0 - 50 bar

### Ersatzteile

Für die Wartung des WEH® Produktes stehen folgende Artikel zur Verfügung:

Bestellnummer	Position	Beschreibung
auf Anfrage	Pos. 7	Frontdichtung

Geben Sie bei der Bestellung die auf Ihrem WEH® Produkt gekennzeichnete Artikelnummer an.

**Bitte beachten:** Beachten Sie zur richtigen Verwendung von WEH® Ersatzteilen das *Kapitel 9. Inspizieren | Warten auf Seite 45.*

AE

## Contact

More questions? Great!  
Don't hesitate to contact our experts.

*Manufacturer:*

### **WEH GmbH Verbindungstechnik**

Josef-Henle-Str. 1  
89257 Illertissen / Germany

Phone: +49 7303 95190-0

Email: [sales@weh.com](mailto:sales@weh.com)

[www.weh.com](http://www.weh.com)

© All rights reserved, WEH GmbH Verbindungstechnik.

Any unauthorized copying, distribution or other use of the copyrighted content is strictly forbidden without the written consent of WEH GmbH Verbindungstechnik. Upon transmission of a newer version of this document, all previous versions are no longer valid. In principle, the latest version of the document is valid. This can be found at [www.weh.com](http://www.weh.com).

Our General Terms and Conditions and the Agreement on Protection of Know-How and Quality Assurance ([www.weh.com](http://www.weh.com)) shall apply to deliveries and other services, unless expressly agreed otherwise. We do not accept any General Terms and Conditions of the purchaser.

WEH® is a registered trademark  
of WEH GmbH Verbindungstechnik.

DE

## Kontakt

Sie haben Fragen oder benötigen weitere  
Informationen? Wir sind gerne für Sie da.

*Hersteller:*

### **WEH GmbH Verbindungstechnik**

Josef-Henle-Str. 1  
89257 Illertissen / Deutschland

Phone: +49 7303 95190-0

Email: [sales@weh.com](mailto:sales@weh.com)

[www.weh.de](http://www.weh.de)

© Alle Rechte vorbehalten, WEH GmbH Verbindungstechnik.

Jedliches unbefugte Kopieren, Verbreiten und sonstige Nutzung der urheberrechtlich geschützten Inhalte ist ohne schriftliche Zustimmung der Firma WEH GmbH Verbindungstechnik untersagt. Mit Übermittlung einer aktuelleren Version des vorliegenden Dokuments verlieren alle älteren Versionen ihre Gültigkeit. Es gilt grundsätzlich die aktuellste Version des Dokuments. Diese finden Sie unter [www.weh.com](http://www.weh.com).

Für Lieferungen und sonstige Leistungen gelten grundsätzlich unsere Allgemeinen Geschäftsbedingungen und die Know-How Schutz- und Qualitätssicherungsvereinbarung ([www.weh.com](http://www.weh.com)), sofern nicht ausdrücklich etwas anderes vereinbart wurde. Allgemeine Geschäftsbedingungen des Bestellers erkennen wir grundsätzlich nicht an.

WEH® ist eine eingetragene Marke  
der WEH GmbH Verbindungstechnik.