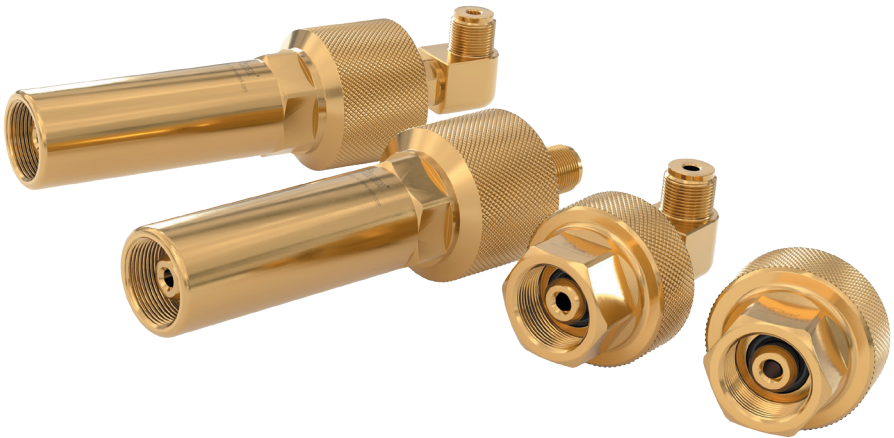


# | Type **TW67**

WEH<sup>®</sup> Connector for filling gas cylinders with male thread

WEH<sup>®</sup> Adapter zum Füllen von Gasflaschen mit Außengewinde





## LANGUAGES

---

<b>AE</b>	<b>TYPE TW67</b> .....	<b>4</b>
	WEH® Connector for filling gas cylinders with male thread	
<b>DE</b>	<b>TYP TW67</b> .....	<b>30</b>
	WEH® Adapter zum Füllen von Gasflaschen mit Außengewinde	

The German version is the original.

**Manufacturer:** WEH GmbH Verbindungstechnik – hereinafter referred to as “WEH”.

Die deutsche Version ist das Original.

**Hersteller:** WEH GmbH Verbindungstechnik - im Nachfolgenden „WEH“ genannt.

# Type TW67

WEH® Connector for filling gas cylinders with male thread

## CONTENTS

---

<b>1.</b>	<b>INTRODUCTION</b>	<b>6</b>
1.1	For your guidance	6
1.2	General information	7
1.3	Warranty and liability	7
1.4	General safety instructions	8
1.5	Definition of qualified personnel	9
<b>2.</b>	<b>INTENDED USE</b>	<b>9</b>
<b>3.</b>	<b>PRODUCT OVERVIEW / PRODUCT DESCRIPTION</b>	<b>10</b>
<b>4.</b>	<b>TECHNICAL DATA</b>	<b>15</b>
<b>5.</b>	<b>STORAGE</b>	<b>16</b>
5.1	Safety instructions for proper storage	16
5.2	Storage	17
<b>6.</b>	<b>REQUIRED TOOLS</b>	<b>17</b>
<b>7.</b>	<b>INSTALLATION</b>	<b>18</b>
7.1	Safety instructions for installation	18
7.2	Installing the media line	19
7.3	Checking the connection for leaks	19

<b>8. OPERATION</b>	<b>20</b>
8.1 Safety instructions for operation	20
8.2 Connection	21
8.3 Disconnection	21
<b>9. INSPECTION   MAINTENANCE</b>	<b>22</b>
9.1 Safety instructions for inspection and maintenance	22
9.2 Maintenance intervals	23
9.3 Overview of minimum intervals for inspection and maintenance	24
9.4 Maintenance	25
<b>10. TROUBLESHOOTING</b>	<b>26</b>
<b>11. DISPOSAL</b>	<b>28</b>
<b>12. ACCESSORIES   SPARE PARTS</b>	<b>28</b>

The German version is the original.

**Manufacturer:** WEH GmbH Verbindungstechnik - hereafter referred to as 'WEH'.

## 1. INTRODUCTION

---

Dear Customer,

thank you for deciding to use our products.

The WEH® TW67 Connector was developed for filling gas cylinders with male threads.

**Observe and follow all instructions and warnings in these operating instructions. Non-observance may result in personal injury and/or property damage.**

### 1.1 For your guidance

The markings and symbols contained in these operating instructions have the following meanings:

- Items are indicated by a dash
- ▶ Calls for action are indicated by an arrow

### Figures

The illustrations and/or images used in these operating instructions are particularly provided for illustrative purposes only and may differ in some details from the actual product. For binding information, please refer to your individual orders.

### Abbreviations / Definitions

For explanation of abbreviations and definitions of terms see applicable Technical Appendix of the corresponding catalog or [www.weh.com](http://www.weh.com)

### Definition of signal words

**Caution:** A section marked with 'Caution' warns you about hazards that could result in a slight, usually reversible personal injury if you do not comply with this instruction.

**Attention:** Sections marked 'Attention' warn you of situations that could lead to property damage and disruptions in operation if you do not comply with the instruction.

**Note:** Sections marked 'Note' indicate that malfunctions in operation may occur if you do not comply with the instruction.

**Please note:** Sections marked with 'Please note' provide you with additional information for smooth operation.

## 1.2 General information

- ▶ First read these operating instructions to avoid misuse and resulting damage.
  - In these operating instructions you will find all the necessary information and instructions for the WEH® Product.
- ▶ Then check the contents of your delivery. Each delivery must contain:
  - a delivery note
  - an original WEH Test report (not applicable to spare parts)
  - WEH operating instructions
- ▶ If any documents are missing, please contact WEH or your responsible distributor.

## 1.3 Warranty and liability

- Our General Terms and Conditions apply.
- ▶ Please read these operating instructions and safety instructions carefully and follow the information contained therein.
  - The information in these operating instructions reflects to the state of knowledge at the time of printing. Failure to comply may void the warranty. Any side agreements to these operating instructions require the written approval of the Head of the Quality Department at WEH.
  - Violation of these operating instructions result in the lapse of all warranty claims. WEH will accept no liability for consequential damage, in particular damage due to personal injury and/or other legal interests.

**Caution:** WEH® Products may only be repaired by WEH.

- ▶ Contact WEH or the responsible distributor if the WEH® Product requires maintenance. Special maintenance work that may be performed by the operator is described in these operating instructions and is specially marked.
- ▶ Only use original WEH® Spare parts. These are exactly suited to the WEH® Product and subject to strict quality controls.
  - You yourself are solely responsible for the proper performance of the replacement or repair. WEH is not responsible for the performance or any damage and/or losses arising from it. WEH assumes no guarantee, warranty, product liability or other liability for any replacement or repair of the WEH® Product performed by you or a third party. If you or a third party does not have the necessary skills and qualification for proper performance, you must refrain from performing replacement or repair. Otherwise, there is a particular risk of endangering yourself and third parties.

## 1.4 General safety instructions

- ▶ Always comply with all applicable local, national and international requirements, stipulations, decrees, laws, standards, provisions, directives, norms, regulations, prohibitions and instructions as well as all applicable industrial, quality and technical standards. In particular, make sure that you and all users comply with the applicable requirements related to occupational health and safety as well as product safety requirements and that all required permissions, certificates and approvals have been obtained.
- ▶ These operating instructions should be provided to anyone responsible for the installation, operation and maintenance of this WEH® Product.
  - The WEH® Product and these operating instructions are intended for use by qualified personnel (see *Chapter 1.5*). Make these operating instructions available in particular to the qualified personnel responsible for the individual phases of the life cycle (especially for storage, installation, operation, inspection and maintenance, troubleshooting and disposal) of the WEH® Product. The qualified personnel must have read and understood these operating instructions.
- ▶ Contact WEH before using the WEH® Product if the instructions in these operating instructions are unclear in any way.
- ▶ Take appropriate safety measures if operating conditions exist that could endanger the user.
- ▶ In case of any damage that may affect the proper functioning of the WEH® Product, do not use the WEH® Product until the situation has been clarified. Disassembly of the WEH® Product may only be performed by WEH.
- ▶ Comply with the assembly data indicated in these operating instructions. Tightening with higher torques/assembly turns can result in damage or even fractures when the system is pressurized.
- ▶ Do not use any auxiliary materials or cleaning agents other than those indicated in these operating instructions. Using other auxiliary materials or cleaning agents may cause damage to the WEH® Product or to downstream components.
  - WEH is not responsible for damage caused by external forces or other external influences.
  - It is assumed that only transport and storage facilities suitable for the storage of the WEH® Product are used.
- ▶ Do not apply any external forces to the WEH® Product. Therefore, do not lean on the (connected) WEH® Product, do not hang on the WEH® Product and do not climb on the WEH® Product under any circumstances. In addition, refrain from hammering on the WEH® Product or similar. Such force effects can lead to damage to property and personal injury. Also ensure that the WEH® Product is protected from being stepped on or run over in any way.



- The WEH® Product can become very hot or very cold due to the possible fluids flowing through it, depending on the application and operating situation. In this regard, observe the national and international regulations on occupational health and safety to prevent injuries.

### 1.5 Definition of qualified personnel

- Qualified personnel, as defined by these instructions, are persons who, based on their professional training, their knowledge (including the relevant standards and regulations), experience and manual skills, can independently assess and properly perform assigned work tasks (in conjunction with WEH® Products) and can thus independently recognize and prevent potential dangers at an early stage.

## 2. INTENDED USE

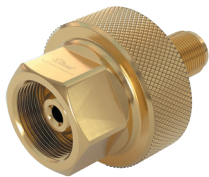
---

- The WEH® TW67 Connector was developed for filling gas cylinders with male threads.
- If you have ordered a customization from us, the WEH® Connector has been specially adapted to the requirements and applications you have based your order on. The underlying requirements and applications shall only be deemed to be confirmed in so far as they have been expressly agreed to in writing by WEH. The connector must not be used for applications and requirements other than those confirmed in writing by WEH.
- Operation with a mixture of media can lead to damages due to residue or contamination, particularly in combination with oxygen. For this reason, make sure that the necessary framework conditions (e.g. cleanliness) are met for operation with the respective medium.
- The WEH® Connector is not suitable for emptying gas cylinders under pressure.
- ▶ Always ensure that the WEH® Product is used only within the range of its intended use. Please note in particular the technical data of the WEH® Product in *Chapter 4* as well as the marking on the WEH® Product itself.
- This WEH® Product is generally classified as pressure accessory in accordance with Article 2 (5) of the Pressure Equipment Directive 2014/68/EU and is considered to be similar to piping. This WEH® Product may not be used as safety accessory. Furthermore, it is pointed out, that this WEH® Product is designed and placed on the market in accordance with the requirements of Article 4 (3) of the Pressure Equipment Directive 2014/68/EU. The assessment with regard to a different classification can, however, be made on request.

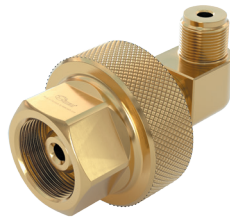
**Caution:** Any use beyond the scope of application is considered as unintended use and may result in personal injury and/or property damage.

### 3. PRODUCT OVERVIEW / PRODUCT DESCRIPTION

#### Product Overview



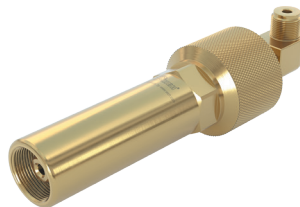
TW67 - inline pallet filling



TW67 - 90° pallet filling



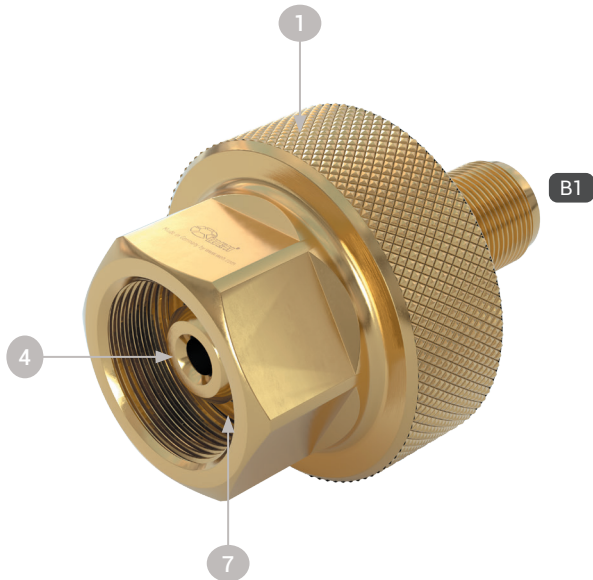
TW67 - inline bundle filling



TW67 - 90° bundle filling

## Product description

### WEH® TW67 Connector - inline pallet filling

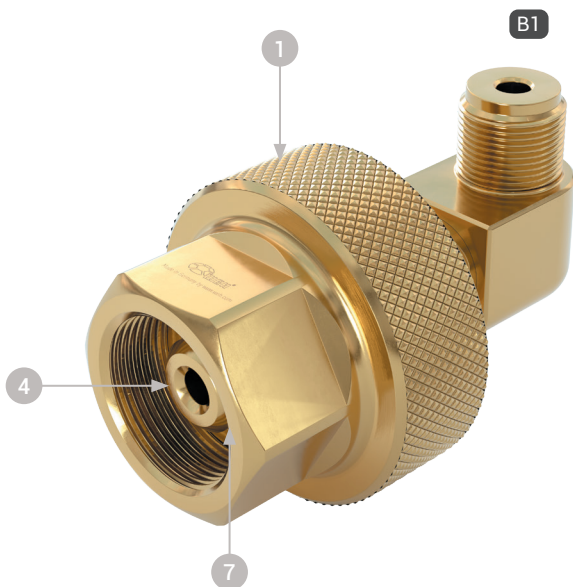


Pos.	Description
1	Grip sleeve
4	Sealing shaft
7	Front seal (inside)

#### Definition of ports

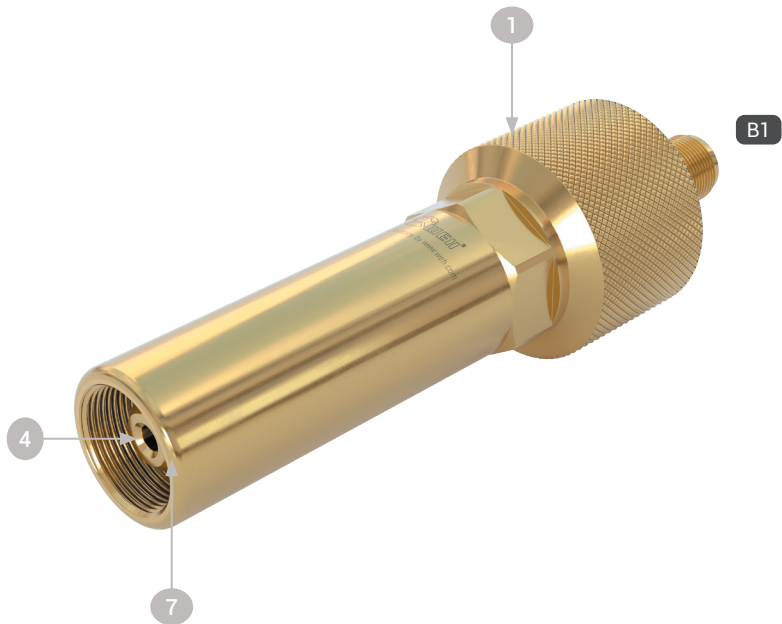
B1	Media inlet
----	-------------

## WEH® TW67 Connector - 90° pallet filling



Pos.	Description
1	Grip sleeve
4	Sealing shaft
7	Front seal (inside)

Definition of ports	
<b>B1</b>	Media inlet

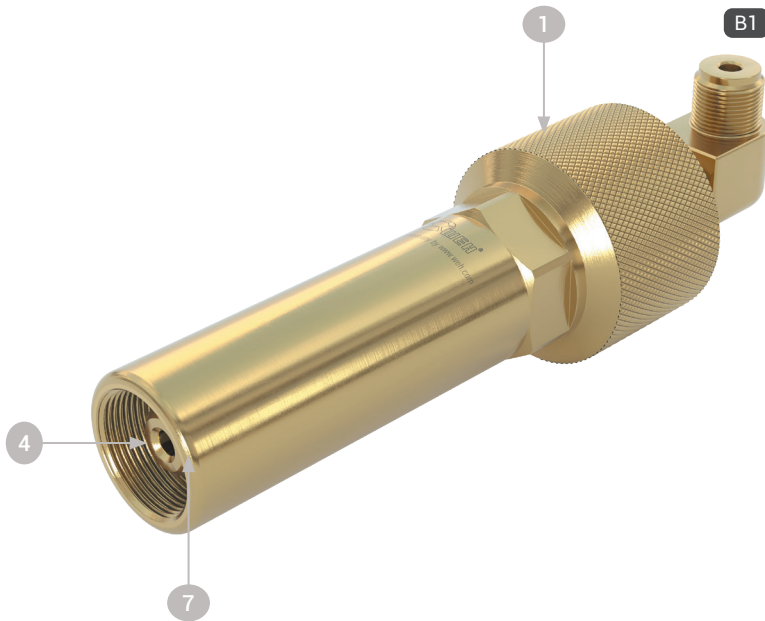
**WEH® TW67 Connector - inline bundle filling**

Pos.	Description
1	Grip sleeve
4	Sealing shaft
7	Front seal (inside)

**Definition of ports**

<b>B1</b>	Media inlet
-----------	-------------

**WEH® TW67 Connector - 90° bundle filling**



Pos.	Description
1	Grip sleeve
4	Sealing shaft
7	Front seal (inside)

Definition of ports	
<b>B1</b>	Media inlet

## 4. TECHNICAL DATA

**Please note:** Depending on the application, the technical data of your WEH® Product may differ from these operating instructions. Please therefore observe the marking on the WEH® Product itself.

Characteristics	Basic version
Maximum permissible operating pressure PS	250 bar resp. 375 bar*
Media temperature range	+5 °C to +80 °C +5 °C to +60 °C (O <sub>2</sub> )
Connection A (cylinder valve)	Male thread connection based on the relevant country standard e.g. DIN, CEN, CGA, BS, NF etc.
Medium**	Inert/flammable gases***, oxygen, noble gases, argon, nitrogen
Actuation	Manual actuation via grip sleeve
Part materials	Corrosion resistant
Sealing materials	According to gas type
Filling type	Pallet filling, bundle filling
Design****	With or without RPV pin
Conformity / Tests / Approvals	Type approval for suitability against adiabatic compression available

\* Please observe the pressure limits specified in the relevant cylinder valve standard. These values may be lower than the max. allowable operating pressure of the WEH® Product.

\*\* Other gases possible depending on the order confirmation

\*\*\* Inert gases are all noble gases and nitrogen. Other gases which are also considered inert under certain circumstances (e.g. CO<sub>2</sub>, sulfur hexafluoride) must not be operated with the connector without consulting WEH.

\*\*\*\* depending on the application

## 5. STORAGE

---

### 5.1 Safety instructions for proper storage

- ▶ Make sure that you always comply with these following safety instructions and storage time.  
**Attention:** Improper storage of the WEH® Product can significantly reduce the maximum service life.
- ▶ Protect the WEH® Product against damage, contamination, inappropriate storage and excessive temperature fluctuations.
- ▶ Store the WEH® Product, the accessories and spare parts in the original packaging until they are used for the first time and during periods when they are not being used.
- ▶ Store the WEH® Product within a temperature range of +5 °C to +80 °C (+5 °C to +60 °C for O<sub>2</sub>). Storage temperatures outside this range may affect the service life of the WEH® Product.
- ▶ Do not store the WEH® Product in the vicinity of heat sources. Avoid humidity and condensation. The ideal relative air humidity for storage is approx. 65%.
- ▶ Do not store the WEH® Product together in the same space with solvents, chemicals, acids, fuels or disinfectants.
- ▶ Protect the WEH® Product against light, in particular direct sunlight, oxygen, ozone, heat, UV radiation, and other negative environmental influences. The service life of parts made of elastomer or plastic may be substantially reduced by such environmental factors.
- ▶ Do not stack WEH® Products. For storage and retrieval, follow the first-in-first-out (FIFO) principle.



## 5.2 Storage

- ▶ Follow the safety instructions in *Chapter 5.1* and observe the following storage times. The appropriate storage period applies from the date of delivery (i.e. the date of invoicing or goods issue date as recorded by WEH or its distributor). If the WEH® Product is installed in a complete system, the storage time depends on the component with the shortest storage time.

Up to 3 years	<p>▶ Before use, check the surfaces of the external seals for cracks.  <b>Attention:</b> Any elastomer seals with fine cracks on the surface must be replaced.  <b>Note:</b> If you should have any doubts about the aging state of the stored WEH® Product, please contact WEH.  <b>Attention:</b> Before commissioning, check the WEH® Product for leak tightness. On this topic, see <i>Chapter 7. Installation on page 18.</i></p>
> 3 years	<p>- Before use, all elastomer seals must be replaced.          ▶ For this, send the WEH® Product to WEH for maintenance.</p>

## 6. REQUIRED TOOLS

Part no.	Description	Installation	Maintenance & Lubrication
--	Suitable open-ended wrench (suitable for the relevant wrench sizes)	X	
--	Suitable calibrated torque wrench (suitable for the corresponding torque)	X	
W136538	WEH® O-ring picker set*		X

\* The WEH® O-ring picker is manufactured from plastic and has to be considered as a consumable product.

## 7. INSTALLATION

---

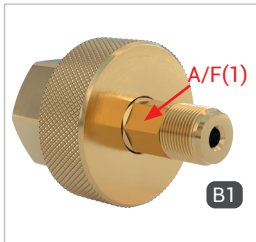
### 7.1 Safety instructions for installation

- ▶ Check the information provided in these operating instructions and the label on the WEH® Product. The information must conform to your application.
- ▶ Only connect the WEH® Product to faultless connections.
- ▶ Check the WEH® Product for transport damages, contamination and other damage. If you should detect anything wrong with the WEH® Product, it may no longer be used. Replace the WEH® Product or send it to WEH for maintenance.
- ▶ Remove transport securing devices (such as protection caps) before installing the WEH® Product. Transport securing devices serve the purpose of protecting the product and connection ports during transport and storage. The transport securing devices are not, for example, designed to withstand pressure or to be used as plugs.
- ▶ Make sure that there is no pressure on the hose connected to the WEH® Connector and to the filling system. Installation must only be effected in depressurized condition.
- ▶ Avoid using excessively short media lines and narrow bending radii. Lateral forces may cause leakages or damage to components and make it more difficult to attach the WEH® Connector properly.
- ▶ Use arrestor cables, partitions, etc. for additional safety where being used for hazardous applications or under hazardous conditions.
- ▶ Before installation, check if the counterparts are designed to withstand the assembly data (see *Chapter 7.2 Installing the media line*) that WEH determined for this WEH® Product.

**Note:** The assembly data (torques, assembly turns etc.) are values which apply exclusively to the components delivered by WEH.

## 7.2 Installing the media line

**Please note:** Subsequent mentions of descriptions and position numbers refer to *Chapter 3. Product overview / product description on page 10.*



- ▶ Unscrew the protection cap from the port.
- ▶ When mounting the filling hose, hold an open-ended wrench against the wrench size A/F(1) (Figure 1).
- ▶ Screw the media inlet "B1" pressure-tight onto the connection port of the filling hose (Figure 1). For the tightening torque, please refer to the table below.

Figure 1

Ports	Torque
M16x1.5	20 Nm $\pm$ 2 Nm

- ▶ Please note the connection size marked on your product.
  - Other connection sizes are available on request.

## 7.3 Checking the connection for leaks

- ▶ Connect the connector to a closed cylinder valve.
- ▶ Slowly apply the operating pressure to the connector and media line.
 

**Caution:** The cylinder valve must be closed/locked.
- ▶ Check the connector, the connection to the media line and the connection to the cylinder valve for leak tightness.

## 8. OPERATION

---

### 8.1 Safety instructions for operation

**Please note:** Subsequent mentions of descriptions and position numbers refer to *Chapter 3. Product overview / product description on page 10.*

- ▶ Apply pressure to the WEH® Connector only once it has been connected to a cylinder valve.
- ▶ Do not use excessive force when actuating.
- ▶ Follow the steps in **exactly** the right order when connecting and disconnecting the WEH® Connector.
- ▶ Attach and detach the WEH® Connector only when it is not under pressure.
- ▶ Connect the WEH® Connector only onto cylinder valves in perfect working order.
- ▶ Align the WEH® Connector correctly with the test piece to prevent damage to the front seal caused by any sharp edges that the test piece may have.
- ▶ Once the connection has been made, always test the connection by tugging a little on the WEH® Connector to make sure that is fully engaged before introducing the pressurized test medium.
- ▶ Keep the WEH® Connector free of oil, grease and dust.  
**Attention:** Contamination in the gas channel can cause oxygen combustion.
- ▶ The WEH® Connector is not fitted with an integrated shut-off valve and thus will not prevent loss of medium in case of improper connection or after disconnecting. Apply pressure to the connector only once it has been properly connected. It is important to disconnect the connector only under absolutely safe conditions. In particular, the connector must be fully depressurized during the disconnection process.

## 8.2 Connection

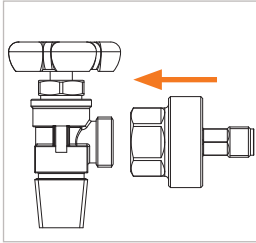


Figure 2

- ▶ Grip the connector by its grip sleeve (Pos. 1).
- ▶ Push the sealing shaft (Pos. 4) straight onto the cylinder valve (Figure 2).
- ▶ Screw the connector on the grip sleeve (Pos. 1) hand-tight until the front seal is in contact with the cylinder thread without tilting.
- ▶ Pull lightly on the connector in the direction opposite that of the connection to make sure that the connector is firmly in place.

- The connector is now connected pressure-tight to the cylinder valve.

- ▶ Open the cylinder valve.
- ▶ To start the filling process, apply pressure to media inlet "B1".

## 8.3 Disconnection

- ▶ After completing the filling process and thorough venting of the media line, close the connector up again.  
**Caution:** First depressurize the system before releasing the connection.
- ▶ Grip the connector by its grip sleeve (Pos. 1) and unscrew the connector from the cylinder thread.
- ▶ Pull the connector straight off the cylinder valve to prevent damage to the front seal.

## 9. INSPECTION | MAINTENANCE

---

**Please note:** Subsequent mentions of descriptions and position numbers refer to *Chapter 3. Product overview / product description on page 10.*

**Attention:** If damage to the WEH® Product or restrictions to its functionality are detected, measures as set out in *Chapter 10. Troubleshooting on page 26* must be taken. Damaged or leaking WEH® Products must be sent to WEH for maintenance.

### 9.1 Safety instructions for inspection and maintenance

- The WEH® Product must be depressurized and dismantled for maintenance work.
- ▶ Check the WEH® Product for leakage after maintenance work. Please refer to *Chapter 7. Installation on page 18.*
- For inspection purposes, it is not necessary for the WEH® Product to be dismantled, but it must be depressurized.
- ▶ Only use original WEH® Spare parts. These are exactly suited to the intended application and subject to strict quality controls.
- ▶ Do not damage sealing surfaces or sealing components.
- ▶ Before reassembling; check the components, threads and, if present, the sealing surfaces for damage and contamination. Should you find any damage, replace the WEH® Product or send it to WEH for maintenance. Stop using the WEH® Product immediately.
- ▶ Keep the WEH® Product and the WEH® Spare parts completely free of oil, grease and dust.  
**Attention:** Contamination in the gas channel can cause oxygen combustion.
- ▶ Before each reassembly, clean the WEH® Product and the corresponding components by blowing off with oil-free compressed air and remove any adhering dirt using a damp, soft and lint-free cloth.  
Do not use solvents. Use only clean water as cleaning agent.  
**Attention:** Only use oil-free compressed air to blow off the dirt.  
**Note:** Make sure that no cleaning agent enters the gas channel.
- ▶ Avoid contact with any mineral oil-based chemicals. These can contaminate and damage the WEH® Product.

- ▶ During maintenance or when handling components for oxygen devices, observe the following points:
  - Keep your hands free of oil and grease
  - Keep your hands and face free of creams and other cosmetic products
  - Wear clean work clothing

## 9.2 Maintenance intervals

- ▶ Inspect the WEH® Product at regular intervals depending on the respective operating conditions, but at least every 3 months. After 20,000 cycles or 3 years at the latest, depending on what happens first, starting from the date of delivery (invoice/goods issue date by WEH or the distributor), the WEH® Product must be sent to WEH for maintenance.  
These intervals can also be significantly shorter, which depends especially on your individual application/use. Therefore, in case of abnormalities – especially during regular inspection – send the WEH® Product immediately to WEH for maintenance. If the WEH® Product is not regularly inspected and sent to WEH for maintenance, leakage may occur and under certain circumstances this may result in failures and/or accidents.

### 9.3 Overview of minimum intervals for inspection and maintenance

No.	Inspection	Initial (before commis- sioning for the 1st time)	Daily	Weekly
1	Check front seal for damage and dirt accumulation	X	X	
2	Check exterior for damage and dirt	X		X
3	Check connection thread for damage and dirt accumulation	X		X
4	Check connector and media inlet for leakage (see <i>Chapter 7. Installation</i> )	X		X

No.	Maintenance	After every 1,000 cycles	After 3 years or 20,000 cycles*
5	Replace the front seal (see <i>Chapter 9.4.1 Replacement of front seal (Pos. 7)</i> )	X	
6	Return to WEH for in-factory maintenance		X

\* depending on what happens first

**Note:** For component arrangement see *Chapter 3. Product overview / product description on page 10*.

- ▶ If your application requires, set shorter intervals than indicated above. A significant shortening of the minimum intervals is particularly necessary if abnormalities are found during the inspections.



## 9.4 Maintenance

**Please note:** Subsequent mentions of descriptions and position numbers refer to *Chapter 3. Product overview / product description on page 10.*

- ▶ If you detect any leaks or malfunction, replace the WEH® Product or send it to WEH for maintenance. Stop using the product immediately.

**The following maintenance work may be carried out by the operator:**

- ▶ Check the WEH® Product for leak tightness and correct functioning – ease of movement, wear, contamination or damage.
- ▶ Check the surface of the front seal (pos. 7). If any tears, cracks or damage are visible on the front seal, replace it. Please refer to *Chapter 9.4.1 Replacement of front seal (Pos. 7) on page 25.*
- ▶ Check the connection thread regularly for dirt and damage. Dirt particles can interfere with the connection, clamping and sealing function, posing a potential hazard.

### 9.4.1 Replacement of front seal (Pos. 7)

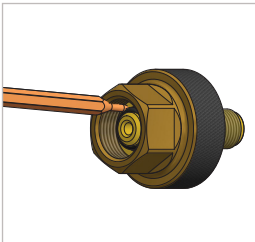


Figure 3

- ▶ Insert a suitable repair tool behind the front seal (Pos. 7) with the WEH® O-ring picker, part No. E98-101969, and remove it from the recess (*Figure 3*).  
**Attention:** Make sure not to damage the surface of the front seal recess when removing the old front seal. Only the tool recommended by WEH may be used.
- ▶ Clean the recess of dirt and other residues.

- ▶ Pull the new front seal (Pos. 7) over the sealing shaft (Pos. 4) into the cleaned recess. Make sure that the front seal is not twisted and is properly seated in the recess. The new front seal can be inserted without using any tools.
- ▶ Connect the WEH® Connector to a test piece a number of times. Visually check that the clamping and sealing function is correct and that the front seal is sealing properly.  
**Attention:** During the next pressure test, apply the test pressure to the connector only gradually.

## 10. TROUBLESHOOTING

No.	Fault	Can be recognized by	Possible cause	Remedial measures
1	Gas leakage during filling process, decreasing with increasing pressure	Sounds of escaping gas	Incorrect connection	Stop the filling process, reconnect the connector
			Inlet too rigid	Fit a flexible hose, for example
			Incorrect connection	Stop the testing operation, reconnect the connector
1	Gas leakage when pressure increases	Sounds of escaping gas	Faulty front seal	Stop the testing operation
			Damaged cylinder valve	Decide whether to interrupt the filling process or to continue it
2	Deformation on the grip sleeve or connector parts	Difficult to move during actuation Sounds of escaping gas	Contact with cylinder cap when moving pallets in and out	Replace the connector immediately and send to WEH for maintenance
				Replace the front seal, see Chapter 9.4.1
				Replace cylinder valve

No.	Fault	Can be recognized by	Possible cause	Remedial measures
3	Leakage on connector or media inlet	Sounds of escaping gas	Defective sealing components Fitting on the media inlet 'B1' is leaking	Send the connector to WEH for maintenance Increase the tightening torque on the media inlet
4	Connector is loose despite proper connection	Device is seated too loosely, it wobbles in the valve thread	Wear	First check the cylinder valve with the thread gauge; if it is defective, replace the cylinder valve. If the valve is in good condition, the connector is defective. Send the connector to WEH for maintenance
5	Fewer than 4 threads at the valve connection are engaged	Threads are visible at the end of the valve	Wear of the connector cam Wrong cylinder valve	Replace the connector immediately and send to WEH for maintenance Check the cylinder valve

If you should encounter any other problems, please contact WEH or your responsible distributor.

## 11. DISPOSAL

- ▶ Dispose of the WEH® Product appropriately when you no longer need it. Observe the national and local disposal regulations valid at the time of disposal.

## 12. ACCESSORIES | SPARE PARTS

### Adaptors

Various adaptors are available to connect the 'B1' media inlet of the WEH® Product to the filling hose.

### WEH® TD1 Swivel joint

A swivel joint is available for the WEH® Product. The swivel joint enables radial alignment of the connector when connecting to the cylinder valve thread. Thus simplifying the connecting procedure even further. Twisted hoses are prevented.

### WEH® TK350-TN350 Quick release coupling

Quick release coupling for quickly and easily exchanging the WEH® Product for repairs, to switch to other standards and to switch from residual pressure to non-residual pressure connectors. The quick release coupling can also be used as a swivel joint.

Part No.	Description	B1 (male thread)	B2 (female thread)
C1-91239-X01	TK350 Quick release coupling	-	M16x1.5 female thread
C1-91241-X01	TN350 Quick release nipple	M16x1.5 male thread	-

### Grip extension with O-ring

Part No.	Description	B1 (male thread)	B2 (female thread)
W95076	Grip extension 50 mm	M16x1.5	M16x1.5
W104260	Grip extension 132 mm	M16x1.5	M16x1.5
W95332	Grip extension 231 mm	M16x1.5	M16x1.5

### Spare parts

The following parts are available for maintenance of the WEH® Product:

Part No.	Position	Description
On request	Pos. 7	Front seal

- ▶ When ordering, please indicate the part no. marked on the WEH® Product.  
**Please note:** For the correct use of WEH® Spare parts, please refer to *Chapter 9. Inspection | Maintenance on page 22.*

# Typ TW67

WEH® Adapter zum Füllen von Gasflaschen mit Außengewinde

## INHALT

---

<b>1. EINLEITUNG</b>	<b>32</b>
1.1 Zu Ihrer Orientierung	32
1.2 Allgemeine Angaben	33
1.3 Gewährleistung und Haftung	33
1.4 Allgemeine Sicherheitshinweise	34
1.5 Definition von Fachpersonal	35
<b>2. BESTIMMUNGSGEMÄSSE VERWENDUNG</b>	<b>35</b>
<b>3. PRODUKTÜBERSICHT / PRODUKTBESCHREIBUNG</b>	<b>36</b>
<b>4. TECHNISCHE DATEN</b>	<b>41</b>
<b>5. LAGERN</b>	<b>42</b>
5.1 Sicherheitshinweise zum sachgerechten Lagern	42
5.2 Lagern	43
<b>6. BENÖTIGTE HILFSMITTEL</b>	<b>43</b>
<b>7. INSTALLIEREN</b>	<b>44</b>
7.1 Sicherheitshinweise zum Installieren	44
7.2 Medienleitung installieren	45
7.3 Dichtheit der Verbindung prüfen	45

<b>8. BEDIENEN</b>	<b>46</b>
8.1 Sicherheitshinweise zum Bedienen	46
8.2 Anschließen	47
8.3 Abschließen	47
<b>9. INSPIZIEREN   WARTEN</b>	<b>48</b>
9.1 Sicherheitshinweise zum Inspizieren und Warten	48
9.2 Wartungsintervalle	49
9.3 Übersicht Mindestintervalle für Inspektion und Wartung	50
9.4 Warten	51
<b>10. FEHLERBEHEBEN</b>	<b>52</b>
<b>11. ENTSORGEN</b>	<b>54</b>
<b>12. ZUBEHÖR   ERSATZTEILE</b>	<b>54</b>

Die deutsche Version ist das Original.

**Hersteller:** WEH GmbH Verbindungstechnik - im Nachfolgenden „WEH“ genannt.

## 1. EINLEITUNG

---

Sehr geehrter Kunde,

wir freuen uns, dass Sie sich für den Einsatz unseres Produktes entschieden haben. Der WEH® Adapter TW67 wurde zum Füllen von Gasflaschen mit Außengewinde entwickelt.

**Beachten und befolgen Sie sämtliche Hinweise und Warnungen in dieser Betriebsanleitung. Eine Nichteinhaltung kann zu Personen- und/oder Sachschäden führen.**

### 1.1 Zu Ihrer Orientierung

Die in dieser Betriebsanleitung verwendeten Kennzeichen und Symbole haben folgende Bedeutung:

- Aufzählungen sind durch einen Strich gekennzeichnet
- ▶ Handlungsaufforderungen sind durch einen Pfeil gekennzeichnet

### Abbildungen

Die in dieser Betriebsanleitung verwendeten Abbildungen dienen nur zur Veranschaulichung und können in einigen Einzelheiten vom tatsächlichen Produkt abweichen. Verbindliche Angaben entnehmen Sie bitte den jeweiligen Einzelaufträgen.

### Abkürzungen / Begriffsdefinitionen

Erläuterung der Abkürzungen sowie Begriffsdefinitionen finden Sie im mitgeltenden Technischen Anhang des entsprechenden Katalogs oder unter [www.weh.com](http://www.weh.com)

### Definition von Signalwörtern

**Vorsicht:** Eine mit „Vorsicht“ gekennzeichnete Passage warnt Sie vor Gefahren, die zu einer leichten, in der Regel reversiblen Verletzung von Personen führen kann, falls Sie diesen Hinweis nicht beachten.

**Achtung:** Eine mit „Achtung“ gekennzeichnete Passage warnt Sie vor Situationen, die zu Sachschäden und Störungen im Betriebsablauf führen können, falls Sie diesen Hinweis nicht beachten.

**Hinweis:** Eine mit „Hinweis“ gekennzeichnete Passage weist Sie auf darauf hin, dass es zu Störungen im Betriebsablauf kommen kann, falls Sie diesen Hinweis nicht beachten.

**Bitte beachten:** Eine mit „Bitte beachten“ gekennzeichnete Passage gibt Ihnen zusätzliche Hinweise für einen reibungslosen Betriebsablauf.



## 1.2 Allgemeine Angaben

- ▶ Lesen Sie zuerst diese Betriebsanleitung, um Fehlanwendung und dadurch bedingte Schäden zu vermeiden!
- In dieser Betriebsanleitung erhalten Sie alle notwendigen Informationen und Anleitungen zum WEH® Produkt.
- ▶ Überprüfen Sie anschließend Ihre Lieferung. Jeder Lieferung muss beiliegen:
  - ein Lieferschein
  - ein Original WEH Prüfprotokoll (nicht bei Ersatzteilen)
  - eine WEH Betriebsanleitung
- ▶ Wenden Sie sich umgehend an WEH oder den entsprechenden Vertriebspartner, falls Ihnen Unterlagen fehlen.

## 1.3 Gewährleistung und Haftung

- Es gelten unsere allgemeinen Geschäftsbedingungen.
  - ▶ Lesen Sie die Betriebsanleitung und die Sicherheitshinweise sorgfältig durch und beachten Sie die darin gemachten Angaben.
  - Die Angaben dieser Betriebsanleitung entsprechen den zum Zeitpunkt der Drucklegung vorhandenen Kenntnissen. Eine Nichtbefolgung führt zum Verlust der Gewährleistung. Sämtliche andere Vereinbarungen bedürfen der schriftlichen Zustimmung der Leitung der Abteilung Qualität bei WEH.
  - Bei Verstoß gegen diese Betriebsanleitung erlöschen sämtliche Gewährleistungsansprüche. WEH übernimmt ferner keinerlei Haftung für Mangelfolgeschäden, insbesondere Schäden an anderen Rechtsgütern und/oder Personenschäden.
- Vorsicht:** WEH® Produkte dürfen nur von WEH instand gesetzt werden.
- ▶ Kontaktieren Sie WEH oder den zuständigen Vertriebspartner, falls das WEH® Produkt gewartet werden muss. Spezielle Wartungsarbeiten, die der Betreiber selbst durchführen darf, sind in dieser Betriebsanleitung beschrieben und speziell gekennzeichnet.
  - ▶ Verwenden Sie nur Original WEH® Ersatzteile. Diese sind auf das WEH® Produkt genau abgestimmt und unterliegen strengen Qualitätskontrollen.
  - Sie sind für die ordnungsgemäße Durchführung des Austausches bzw. der Reparatur selbst verantwortlich. WEH ist hierfür sowie für etwaige Beschädigungen oder Schäden nicht verantwortlich. WEH übernimmt keinerlei Garantie, Gewährleistung, Haftung, oder sonstige Verantwortung für einen von Ihnen oder Dritten durchgeführten Austausch bzw. Reparatur oder durchgeführte technische Änderungen des WEH® Produkts. Falls Sie oder Dritte nicht über die erforderliche Eignung und Qualifikation für die ordnungsgemäße Durchführung verfügen, nehmen Sie von einem Austausch bzw. einer Reparatur unbedingt Abstand. Andernfalls besteht insbesondere das Risiko, dass Sie sich und Dritte gefährden.

## 1.4 Allgemeine Sicherheitshinweise

- ▶ Halten Sie stets alle anwendbaren lokalen, nationalen und internationalen Anforderungen, Bestimmungen, Erlasse, Gesetze, Normen, Regelungen, Richtlinien, Standards, Verordnungen, Verbote und Vorschriften sowie alle anwendbaren Industrie-, Qualitäts- und Technik-Normen ein. Stellen Sie hierbei insbesondere sicher, dass Sie und sämtliche Nutzer die anwendbaren Anforderungen aus dem Arbeitsschutz, der Arbeitssicherheit und der Produktsicherheit einhalten sowie dass alle erforderlichen Genehmigungen, Zertifikate und Zulassungen vorliegen.
- ▶ Stellen Sie diese Betriebsanleitung insbesondere jedem zur Verfügung, der für die Installation, Bedienung und Wartung dieses WEH® Produktes zuständig ist.
  - Das WEH® Produkt und diese Betriebsanleitung sind für die Verwendung durch Fachpersonal (siehe *Kapitel 1.5*) vorgesehen. Stellen Sie diese Betriebsanleitung insbesondere dem Fachpersonal zur Verfügung, das für die einzelnen Phasen des Lebenszyklus (speziell für das Lagern, Installieren, Bedienen, Inspizieren und Warten, die Fehlerbehebung und Entsorgung) des WEH® Produktes zuständig ist. Das Fachpersonal muss diese Betriebsanleitung gelesen und verstanden haben.
- ▶ Wenden Sie sich an WEH bevor Sie das WEH® Produkt einsetzen, sollten Anweisungen in dieser Betriebsanleitung unklar sein.
- ▶ Ergreifen Sie entsprechende Sicherheitsmaßnahmen, falls Bedingungen vorliegen, die den Anwender in Gefahr bringen können.
- ▶ Setzen Sie das WEH® Produkt bei Beschädigungen, welche die einwandfreie Funktion des WEH® Produktes betreffen können, bis zur Klärung des Falles nicht ein. Eine Demontage des WEH® Produktes darf nur durch WEH erfolgen.
- ▶ Beachten Sie die in der Betriebsanleitung angegebenen Montagedaten. Höhere Drehmomente/Montagedrehungen können zu Beschädigungen bzw. zu Brüchen bei Druckbeaufschlagung führen.
- ▶ Verwenden Sie keine anderen Hilfs- bzw. Reinigungsmittel als in dieser Betriebsanleitung vorgegeben. Die Verwendung von anderen Hilfs- bzw. Reinigungsmitteln kann zu Schäden am WEH® Produkt bzw. an nachgelagerten Komponenten führen.
  - Für Schäden, die durch äußere Kräfte oder andere äußere Einwirkungen entstehen, ist WEH nicht verantwortlich.
  - Sachgemäßer Transport und fachgerechte Lagerung des WEH® Produktes werden vorausgesetzt.
- ▶ Bringen Sie auf das WEH® Produkt keine äußeren Kräfte auf. Stützen Sie sich daher weder auf dem (angeschlossenen) WEH® Produkt ab, lehnen Sie sich nicht daran an, hängen Sie sich nicht an das WEH® Produkt und steigen Sie keinesfalls auf das WEH® Produkt. Unterlassen Sie zudem auf das WEH® Produkt zu hämmern oder Ähnliches. Derartige Krafteinwirkungen können zu Sach- und Personenschäden führen. Stellen Sie zudem sicher, dass das WEH® Produkt vor Betreten oder Überfahren jeglicher Art geschützt ist.

- Das WEH® Produkt kann durch die möglichen hindurch strömenden Fluide, je nach Anwendung und Betriebssituation, sehr heiß oder sehr kalt werden. Beachten Sie diesbezüglich die nationalen und internationalen Regelungen zum Arbeitsschutz, um Verletzungen vorzubeugen.

### 1.5 Definition von Fachpersonal

- Fachpersonal im Sinne dieser Anleitung sind Personen, die auf Grund ihrer fachlichen Ausbildung, ihrer Kenntnisse (inklusive der einschlägigen Normen und Vorschriften), ihrer Erfahrung und ihrer handwerklichen Fähigkeiten die ihnen im Zusammenhang mit WEH® Produkten übertragenen Aufgaben und Arbeiten eigenständig beurteilen und ordnungsgemäß ausführen können und hierbei auch eigenständig in der Lage sind, etwaige Gefahren frühzeitig zu erkennen und zu vermeiden.

## 2. BESTIMMUNGSGEMÄSSE VERWENDUNG

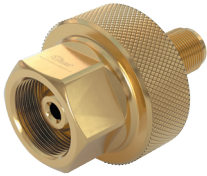
- Der WEH® Adapter TW67 wurde zum Füllen von Gasflaschen mit Außengewinde entwickelt.
- Falls Sie bei uns eine kundenspezifische Anpassung beauftragt haben, wurde der WEH® Adapter speziell an die von Ihnen in Ihrer Bestellung zu Grunde gelegten Anforderung und Anwendungen angepasst. Die zugrunde gelegten Anforderungen und Anwendungen gelten nur als bestätigt, insofern diesen ausdrücklich und schriftlich durch WEH zugestimmt wurde. Der Adapter darf für andere Anwendungen und Anforderungen, als die von WEH schriftlich Bestätigten nicht verwendet werden.
- Ein Mischbetrieb von Medien kann z. B. aufgrund von Rückständen oder Verschmutzungen zu Folgeschäden führen, insbesondere in Verbindung mit Sauerstoff. Stellen Sie deshalb sicher, dass die notwendigen Rahmenbedingungen (z. B. Reinheit) für den Betrieb mit dem jeweiligen Medium gegeben sind.
- Der WEH® Adapter ist nicht für das Entleeren von Gasflaschen unter Druck geeignet.
- ▶ Stellen Sie stets sicher, dass das WEH® Produkt ausschließlich innerhalb der bestimmungsgemäßen Verwendung zum Einsatz kommt. Beachten Sie hierfür insbesondere die technischen Daten des WEH® Produktes im *Kapitel 4* sowie die Kennzeichnung auf dem WEH® Produkt selbst.
- Dieses WEH® Produkt ist grundsätzlich als druckhaltendes Ausrüstungsteil gemäß Artikel 2 Nr. 5 der Druckgeräterichtlinie 2014/68/EU eingestuft und wird als rohrleitungsähnlich betrachtet. Dieses WEH® Produkt darf nicht eingesetzt werden als Ausrüstungsteil mit Sicherheitsfunktion. Ferner wird darauf hingewiesen, dass dieses WEH® Produkt gemäß den Anforderungen des Artikels 4 Absatz 3 der Druckgeräterichtlinie 2014/68/EU ausgelegt und in Verkehr gebracht wird. Die Bewertung bzgl. einer anderweitigen Einstufung kann jedoch auf Anfrage erfolgen.

**Vorsicht:** Jede über den Einsatzbereich hinausgehende Verwendung gilt als nicht bestimmungsgemäß und kann zu Personen- und/oder Sachschäden führen.

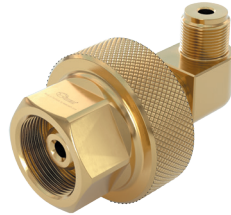
### 3. PRODUKTÜBERSICHT / PRODUKTBESCHREIBUNG

---

#### Produktübersicht



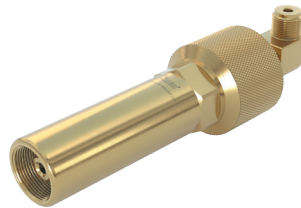
TW67 - gerade Palettenabfüllung



TW67 - 90° Palettenabfüllung



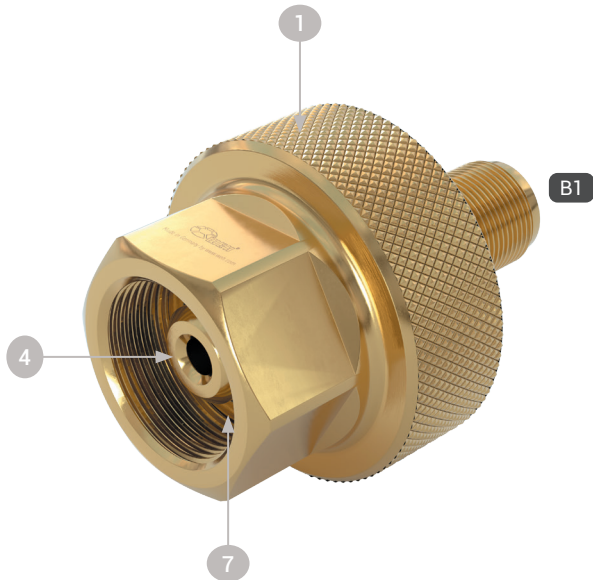
TW67 - gerade Bündelabfüllung



TW67 - 90° Bündelabfüllung

## Produktbeschreibung

### WEH® Adapter TW67 - gerade Palettenabfüllung

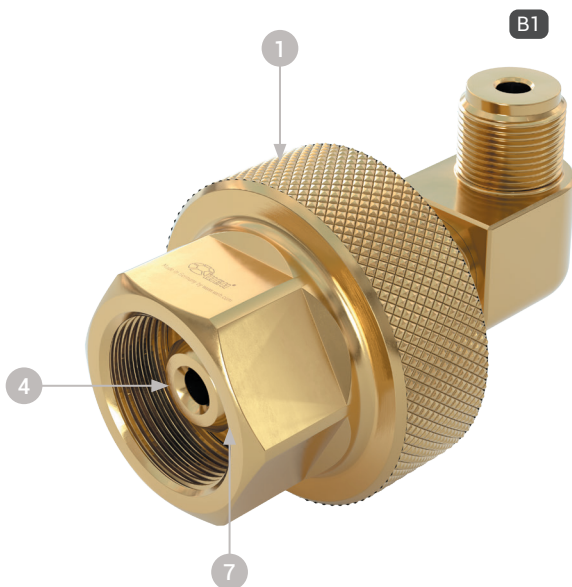


Pos.	Bezeichnung
1	Griffhülse
4	Dichtachse
7	Frontdichtung (innenliegend)

#### Begriffserklärung Anschlüsse

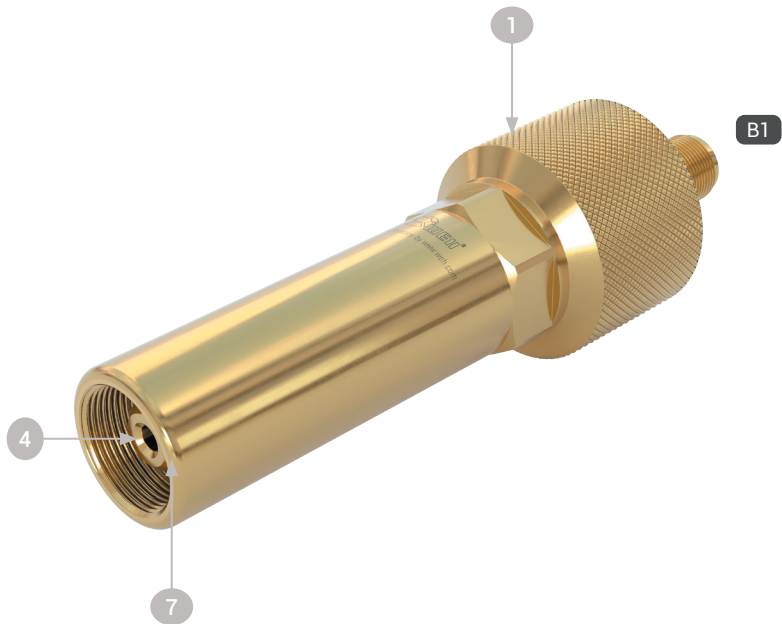
<b>B1</b>	Betriebsmedienzuleitung
-----------	-------------------------

## WEH® Adapter TW67 - 90° Palettenabfüllung



Pos.	Bezeichnung
1	Griffhülse
4	Dichtachse
7	Frontdichtung (innenliegend)

Begriffserklärung Anschlüsse	
B1	Betriebsmedienzuleitung

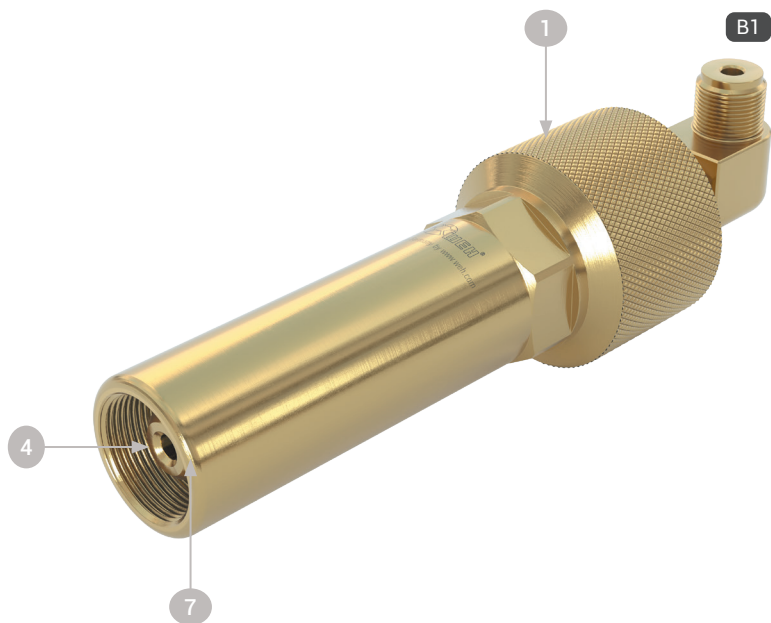
**WEH® Adapter TW67 - gerade Bündelabfüllung**

Pos.	Bezeichnung
1	Griffhülse
4	Dichtachse
7	Frontdichtung (innenliegend)

**Begriffserklärung Anschlüsse**

<b>B1</b>	Betriebsmedienzuleitung
-----------	-------------------------

## WEH® Adapter TW67 - 90° Bündelabfüllung



Pos.	Bezeichnung
1	Griffhülse
4	Dichtachse
7	Frontdichtung (innenliegend)

Begriffserklärung Anschlüsse	
B1	Betriebsmedienzuleitung



## 4. TECHNISCHE DATEN

**Bitte beachten:** Abhängig vom Anwendungsfall können die technischen Daten Ihres WEH® Produkts von dieser Betriebsanleitung abweichen. Beachten Sie daher stets die Kennzeichnung auf dem WEH® Produkt selbst.

Eigenschaften	Standardausführung
Maximal zulässiger Betriebsdruck PS	250 bar bzw. 375 bar*
Medien-temperaturbereich	+5 °C bis +80 °C +5 °C bis +60 °C (O <sub>2</sub> )
Anschluss A (Flaschenventil)	Außengewinde-Anschluss nach der jeweiligen Ländernorm z. B. DIN, CEN, CGA, BS, NF etc.
Medium**	Inerte/brennbare Gase***, Sauerstoff, Edelgase, Argon, Stickstoff
Betätigung	Manuelle Betätigung über Griffhülse
Teilewerkstoffe	Rostbeständig
Dichtungswerkstoffe	Entsprechend der Gasart
Abfüllung	Palettenabfüllung, Bündelabfüllung
Ausführung****	Mit oder ohne RPV-Pin
Konformität / Prüfungen / Zulassungen	Typprüfung adiabatische Kompression vorhanden

\* Beachten Sie die maximalen Druckvorgaben der entsprechenden Flaschenventilnorm. Diese können niedriger sein als der maximal zulässige Betriebsdruck für den das WEH® Produkt ausgelegt ist.

\*\* anderer Gase, je nach Auftragsbestätigung möglich

\*\*\* Inerte Gase sind alle Edelgase und Stickstoff. Andere Gase, die unter bestimmten Umständen ebenfalls als inert gelten (z. B. CO<sub>2</sub>, Schwefelhexafluorid) dürfen ohne Rücksprache mit WEH nicht mit dem Adapter betrieben werden.

\*\*\*\* abhängig vom Anwendungsfall

## 5. LAGERN

---

### 5.1 Sicherheitshinweise zum sachgerechten Lagern

- ▶ Stellen Sie sicher, dass die folgenden Sicherheitshinweise und Lagerzeiten stets eingehalten werden.  
**Achtung:** Eine nicht sachgerechte Lagerung des WEH® Produktes kann die maximale Lebensdauer erheblich reduzieren.
- ▶ Schützen Sie das WEH® Produkt grundsätzlich vor Beschädigungen, Verschmutzungen, unsachgemäßer Lagerung und übermäßigen Temperaturschwankungen.
- ▶ Lagern Sie das WEH® Produkt, dessen Zubehör und Ersatzteile, bis zum Einsatz und während der Nichtbenutzung, in der Originalverpackung.
- ▶ Lagern Sie das WEH® Produkt in einem Temperaturbereich von +5 °C bis +80 °C (+5 °C bis +60 °C bei O<sub>2</sub>). Lagertemperaturen außerhalb dieses Bereichs können die Lebensdauer des WEH® Produkts beeinträchtigen.
- ▶ Lagern Sie das WEH® Produkt nicht im Bereich von Wärmequellen. Vermeiden Sie Feuchtigkeit und Kondenswasser. Die für die Lagerung optimale relative Luftfeuchtigkeit liegt bei ca. 65 %.
- ▶ Lagern Sie das WEH® Produkt nicht im gleichen Raum wie Lösungsmittel, Chemikalien, Säuren, Kraftstoffe und Desinfektionsmittel.
- ▶ Schützen Sie das WEH® Produkt vor Licht, besonders vor direkter Sonneneinstrahlung, Sauerstoff, Ozon, Wärme, UV-Strahlen, Lösungsmittel und anderen negativen Umwelteinflüssen. Die Lebensdauer der Elastomere oder Kunststoffteile kann durch diese Einflüsse wesentlich verkürzt werden.
- ▶ Vermeiden Sie die Überlagerung von WEH® Produkten. Die Ein- und Auslagerung sollte nach dem First-in-First-out-Prinzip (FIFO) erfolgen.

## 5.2 Lagern

- ▶ Beachten Sie die Sicherheitshinweise unter *Kapitel 5.1* und halten Sie die nachfolgenden Lagerzeiten ein. Die zulässige Lagerzeit gilt ab dem Auslieferungsdatum (Rechnungs-/Warenausgangsdatum seitens WEH oder dem Vertriebspartner). Sollte das WEH® Produkt in einem Komplettsystem verbaut sein, so ist die Lagerzeit von der Komponente abhängig, welche die geringste Lagerzeit aufweist.

Bis 3 Jahre	<p>▶ Kontrollieren Sie vor Einsatzbringung die Oberfläche von außenliegenden Dichtungen auf Risse.</p> <p><b>Achtung:</b> Elastomerdichtungen mit feinen Rissen an der Oberfläche müssen ersetzt werden.</p> <p><b>Hinweis:</b> Falls Zweifel über den Alterungszustand des gelagerten WEH® Produktes entstehen, kontaktieren Sie WEH.</p> <p><b>Achtung:</b> Vor Inbetriebnahme muss das WEH® Produkt auf Dichtheit geprüft werden. Siehe hierzu das <i>Kapitel 7. Installieren auf Seite 44.</i></p>
> 3 Jahre	<p>- Vor Einsatzbringung müssen sämtliche Elastomerdichtungen ausgetauscht werden.</p> <p>▶ Senden Sie hierzu das WEH® Produkt zur Wartung an WEH.</p>

## 6. BENÖTIGTE HILFSMITTEL

Artikelnummer	Bezeichnung	Installieren	Warten & Schmierem
--	Geeigneter Gabelschlüssel (passend für die entsprechenden Schlüsselweiten)	X	
--	Geeigneter kalibrierter Drehmomentschlüssel (passend für das entsprechende Drehmoment)	X	
W136538	WEH® O-Ring-Picker Set*		X

- \* Der WEH® O-Ring-Picker ist aus Kunststoff und ist als Verbrauchsmaterial anzusehen.

## 7. INSTALLIEREN

---

### 7.1 Sicherheitshinweise zum Installieren

- ▶ Überprüfen Sie die Angaben der Betriebsanleitung und die Kennzeichnung auf dem WEH® Produkt. Die Angaben müssen mit Ihrem Einsatzfall übereinstimmen.
- ▶ Schließen Sie nur einwandfreie Anschlüsse an das WEH® Produkt an.
- ▶ Überprüfen Sie das WEH® Produkt auf Transportschäden, Verunreinigungen und Beschädigungen. Stellen Sie etwas am WEH® Produkt fest, darf dieses nicht mehr verwendet werden. Tauschen Sie das WEH® Produkt aus oder schicken Sie es zur Wartung an WEH.
- ▶ Entfernen Sie die Transportsicherungen (wie z. B. Schutzkappen) vor der Installation des WEH® Produkts. Transportsicherungen dienen dem Zweck das Produkt und die Anschlüsse beim Transport und während der Lagerung zu schützen. Die Transportsicherungen sind nicht darauf ausgelegt z. B. Druck zu tragen oder als Stopfen verwendet zu werden.
- ▶ Stellen Sie sicher, dass an dem Schlauch, der an den WEH® Adapter und an die Füllanlage angeschlossen ist, kein Druck ansteht. Der Einbau muss drucklos erfolgen.
- ▶ Vermeiden Sie kurze Medienleitungen und enge Biegeradien. Querkräfte können zu Undichtigkeiten und Beschädigungen von Bauteilen führen und erschweren den Anschlussvorgang des WEH® Adapters.
- ▶ Verwenden Sie, um zusätzliche Arbeitssicherheit zu erreichen, bei gefährlichen Anwendungen bzw. Umständen Fangseile, Zwischenwände etc.
- ▶ Überprüfen Sie vor der Installation, ob die Gegenstücke für die Montagedaten (siehe *Kapitel 7.2 Medienleitung installieren*), welche WEH für das WEH® Produkt vorgibt, ausgelegt sind.  
**Hinweis:** Diese Montagedaten (Drehmomente, Montagedrehungen etc.) sind Werte, die ausschließlich für die Komponenten gelten, die im Lieferumfang von WEH enthalten sind.

## 7.2 Medienleitung installieren

**Bitte beachten:** Nachfolgende Erwähnungen von Bezeichnungen und Positionsnummern beziehen sich auf das *Kapitel 3. Produktübersicht / Produktbeschreibung auf Seite 36.*

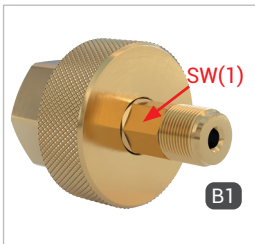


Abbildung 1

- ▶ Schrauben Sie die Schutzkappe von dem Anschluss ab.
- ▶ Halten Sie beim Montieren des Füllschlauches an der Schlüsselfläche SW(1) (Abbildung 1) mit einem Gabelschlüssel gegen.
- ▶ Verschrauben Sie die Betriebsmedienzuleitung „B1“ druckdicht mit dem Anschluss des Füllschlauches (Abbildung 1). Anzugsdrehmoment siehe untenstehende Tabelle.

Anschlüsse	Drehmoment
M16x1,5	20 Nm ± 2 Nm

- ▶ Beachten Sie die auf Ihrem Gerät gekennzeichnete Anschlussgröße.
  - Weitere Anschlussgrößen auf Anfrage möglich.

## 7.3 Dichtheit der Verbindung prüfen

- ▶ Schließen Sie den Adapter an ein geschlossenes Flaschenventil an.
- ▶ Beaufschlagen Sie den Adapter und die Medienleitung langsam mit dem Betriebsdruck. **Vorsicht:** Das Flaschenventil muss ge-/ verschlossen sein.
- ▶ Überprüfen Sie den Adapter, die Verbindung zur Medienleitung und die Verbindung zum Flaschenventil auf Dichtheit.

## 8. BEDIENEN

---

### 8.1 Sicherheitshinweise zum Bedienen

**Bitte beachten:** Nachfolgende Erwähnungen von Bezeichnungen und Positionsnummern beziehen sich auf das *Kapitel 3. Produktübersicht / Produktbeschreibung auf Seite 36.*

- ▶ Beaufschlagen Sie den WEH® Adapter erst dann mit Druck, wenn er an einem Flaschenventil angeschlossen ist.
- ▶ Wenden Sie beim Betätigen keine Gewalt an.
- ▶ Beachten Sie **genau** die richtige Reihenfolge des An- und Abschließens des WEH® Adapters.
- ▶ Schließen Sie den WEH® Adapter nur im drucklosen Zustand an und ab.
- ▶ Schließen Sie den WEH® Adapter nur an einwandfreie Flaschenventile an.
- ▶ Setzen Sie den WEH® Adapter gerade an, dadurch wird einer Beschädigung der Frontdichtung durch eventuell scharfe Kanten am Prüfling vorgebeugt.
- ▶ Ziehen Sie nach dem Anschließen immer am WEH® Adapter, um sicherzustellen, dass er richtig angeschlossen ist, bevor Sie das unter Druck stehende Medium zuführen.
- ▶ Halten Sie den WEH® Adapter öl-, fett und staubfrei.  
**Achtung:** Verunreinigungen im Gaskanal können einen Sauerstoffausbrand verursachen.
- ▶ Der WEH® Adapter besitzt kein integriertes Absperrventil und verhindert daher nicht das Austreten von Medium bei unsachgemäßem Anschließen und nach dem Abschließen. Beaufschlagen Sie den Adapter erst dann mit Druck, wenn er richtig angeschlossen ist. Schließen Sie den Adapter nur bei absolut sicheren Verhältnissen ab. Insbesondere muss der Adapter beim Abschlussvorgang vollständig drucklos sein.

## 8.2 Anschließen

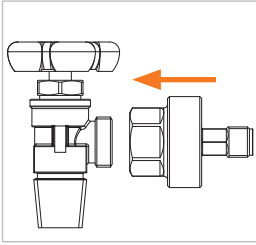


Abbildung 2

- ▶ Greifen Sie den Adapter an der Griffhülse (Pos. 1).
- ▶ Stecken Sie die Dichtachse (Pos. 4) gerade auf das Flaschenventil (*Abbildung 2*).
- ▶ Schrauben Sie den Adapter an der Griffhülse (Pos. 1) ohne zu verkanten handfest bis zum Anliegen der Frontdichtung auf das Flaschengewinde auf.
- ▶ Ziehen Sie leicht am Adapter entgegen der Anschlussrichtung um sicherzustellen, dass der Adapter richtig angeschlossen ist.

- Der Adapter ist nun druckdicht mit dem Flaschenventil verbunden.

- ▶ Öffnen Sie das Flaschenventil.
- ▶ Beaufschlagen Sie, um den Füllvorgang zu beginnen, die Betriebsmedienzuleitung „B1“ mit Druck.

## 8.3 Abschließen

- ▶ Nach Beendigung des Füllvorganges und vollständiger Entlüftung der Medienleitung schließen Sie den Adapter ab.  
**Vorsicht:** Stellen Sie zuerst den druckfreien Zustand her, bevor Sie die Verbindung lösen.
- ▶ Greifen Sie den Adapter an der Griffhülse (Pos. 1) und schrauben Sie den Adapter vom Flaschengewinde ab.
- ▶ Ziehen Sie den Adapter gerade vom Flaschenventil ab, um eine Beschädigung der Frontdichtung vorzubeugen.

## 9. INSPIZIEREN | WARTEN

**Bitte beachten:** Nachfolgende Erwähnungen von Bezeichnungen und Positionsnummern beziehen sich auf das *Kapitel 3. Produktübersicht / Produktbeschreibung auf Seite 36*.

**Achtung:** Werden Beschädigungen am WEH® Produkt oder Einschränkungen in der Funktion erkannt, sind Maßnahmen gemäß *Kapitel 10. Fehlerbeheben auf Seite 52* zu treffen. Beschädigte oder undichte WEH® Produkte müssen zur Wartung an WEH geschickt werden.

### 9.1 Sicherheitshinweise zum Inspizieren und Warten

- Das WEH® Produkt muss für Wartungsarbeiten drucklos sein und abgebaut werden.
- ▶ Überprüfen Sie das WEH® Produkt nach den Wartungsarbeiten auf Leckage. Beachten Sie hierzu das *Kapitel 7. Installieren auf Seite 44*.
- Zum Zweck der Inspektion ist es nicht notwendig, dass das WEH® Produkt abgebaut wird, es muss allerdings drucklos sein.
- ▶ Verwenden Sie nur Original WEH® Ersatzteile. Diese sind auf den Anwendungsfall genau abgestimmt und unterliegen strengen Qualitätskontrollen.
- ▶ Beschädigen Sie keinesfalls Dichtflächen oder Dichtungskomponenten.
- ▶ Kontrollieren Sie vor jeder Wiedermontage die Bauteile, Gewinde und falls vorhanden die Dichtflächen auf Beschädigung und Verunreinigungen. Stellen Sie Beschädigungen fest, tauschen Sie das WEH® Produkt aus oder schicken Sie es zur Wartung an WEH ein. Das WEH® Produkt darf nicht mehr verwendet werden.
- ▶ Halten Sie Das WEH® Produkt und die WEH® Ersatzteile absolut öl-, fett- und staubfrei.  
**Achtung:** Verunreinigungen im Gaskanal können einen Sauerstoffausbrand verursachen.
- ▶ Reinigen Sie vor der Wiedermontage das WEH® Produkt und die entsprechenden Bauteile durch Abblasen mit ölfreier Druckluft und entfernen Sie anhaftenden Schmutz mit einem feuchten, weichen und fusselfreien Tuch. Verwenden Sie hierzu keine Lösemittel, sondern ausschließlich klares Wasser als Reinigungsmittel.  
**Achtung:** Verwenden Sie zum Abblasen des Schmutzes nur ölfreie Druckluft.  
**Hinweis:** Achten Sie darauf, dass kein Reinigungsmittel in den Gaskanal gelangt.
- ▶ Vermeiden Sie den Kontakt mit Chemikalien auf Mineralölbasis. Diese können das WEH® Produkt verunreinigen und beschädigen.



- ▶ Beachten Sie während der Wartung oder während dem Umgang mit Bauteilen für Sauerstoffgeräte folgende Punkte:
  - Halten Sie ihre Hände öl- und fettfrei
  - Halten Sie ihre Hände und das Gesicht frei von Cremes und anderen Kosmetikprodukten
  - Tragen Sie saubere Arbeitskleidung

## 9.2 Wartungsintervalle

- ▶ Inspizieren Sie das WEH® Produkt in regelmäßigen Abständen in Abhängigkeit von den jeweiligen Betriebsbedingungen, jedoch mindestens alle 3 Monate. Nach spätestens 20.000 Zyklen oder 3 Jahren, je nachdem was zuerst eintritt, beginnend ab dem Auslieferungsdatum (Rechnungs-/Warenausgangsdatum seitens WEH oder des Vertriebspartners), muss das WEH® Produkt zur Wartung an WEH geschickt werden.

Diese Intervalle können jedoch auch deutlich kürzer ausfallen, was insbesondere abhängig von Ihrer individuellen Applikation/Anwendung ist. Schicken Sie daher das WEH® Produkt bei Auffälligkeiten – insbesondere im Rahmen der regelmäßigen Inspektion – umgehend zur Wartung an WEH. Sollten Sie das WEH® Produkt nicht regelmäßig inspizieren und zur Wartung an WEH schicken, kann es insbesondere zu Undichtigkeiten und damit unter Umständen auch zu Ausfällen und/oder Unfällen kommen.

### 9.3 Übersicht Mindestintervalle für Inspektion und Wartung

Nr.	Inspektion	Erstmalig (vor Inbetriebnahme)	Täglich	Wöchentlich
1	Frontdichtung auf Beschädigung und Sauberkeit prüfen	X	X	
2	Äußeren Zustand auf Beschädigung und Sauberkeit prüfen	X		X
3	Anschlussgewinde auf Beschädigung und Sauberkeit prüfen	X		X
4	Adapter und Medienzuleitung auf Leckage prüfen (siehe Kapitel 7. Installieren)	X		X

Nr.	Wartung	Nach 1.000 Zyklen	Nach 3 Jahre oder 20.000 Zyklen*
5	Frontdichtung austauschen (siehe Kapitel 9.4.1 Austausch der Frontdichtung (Pos. 7))	X	
6	Einsendung zur Werkswartung an WEH		X

\* je nachdem was zuerst eintritt

**Hinweis:** Zuordnung der Komponenten siehe Kapitel 3. Produktübersicht / Produktbeschreibung auf Seite 36.

- ▶ Legen Sie, falls Ihre Applikation/Anwendung es erfordert, kürzere Intervalle als oben vorgegeben, fest. Eine signifikante Verkürzung der Mindestintervalle ist insbesondere dann geboten, wenn sich Auffälligkeiten bei den Inspektionen zeigen.

## 9.4 Warten

**Bitte beachten:** Nachfolgende Erwähnungen von Bezeichnungen und Positionsnummern beziehen sich auf das *Kapitel 3. Produktübersicht / Produktbeschreibung auf Seite 36.*

- ▶ Tauschen Sie das WEH® Produkt aus oder schicken Sie es zur Wartung an WEH ein, falls Sie Undichtigkeiten oder Fehlfunktionen feststellen. Das Produkt darf nicht mehr verwendet werden.

### Die folgenden Wartungsarbeiten dürfen vom Betreiber durchgeführt werden:

- ▶ Überprüfen Sie das WEH® Produkt auf Dichtheit und richtige Funktion - Leichtgängigkeit, Verschleiß, Verschmutzung, Beschädigungen.
- ▶ Kontrollieren Sie die Dichtungsoberfläche der Frontdichtung (Pos. 7). Sind Risse oder Beschädigungen auf der Frontdichtung sichtbar, tauschen Sie diese aus. Beachten Sie hierzu das *Kapitel 9.4.1 Austausch der Frontdichtung (Pos. 7) auf Seite 51.*
- ▶ Kontrollieren Sie das Anschlussgewinde regelmäßig auf Verschmutzung und Beschädigung. Schmutzpartikel können die Anschluss-, Spann- und Dichtfunktion beeinträchtigen und eine Gefahrenquelle darstellen.

#### 9.4.1 Austausch der Frontdichtung (Pos. 7)

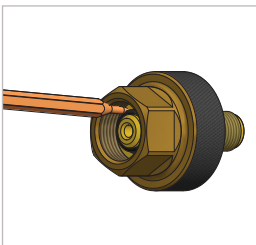


Abbildung 3

- ▶ Untergraben Sie die Frontdichtung (Pos. 7) mit dem WEH® O-Ring Picker Art. Nr. E98-101969 und entnehmen Sie ihn aus dem Einstich (*Abbildung 3*).  
**Achtung:** Beim Entfernen der Frontdichtung darf die Oberfläche des Einstiches nicht beschädigt werden. Es darf nur das von WEH empfohlene Werkzeug verwendet werden.
- ▶ Säubern Sie den Einstich von Schmutz oder sonstigen Rückständen.
- ▶ Ziehen Sie die neue Frontdichtung (Pos. 7) über die Dichtachse (Pos. 4) in den gesäuberten Einstich ein. Achten Sie darauf, dass die Frontdichtung nicht in sich verdreht ist und dass sie richtig im Einstich liegt. Die Montage der neuen Frontdichtung erfolgt ohne Werkzeug.
- ▶ Schließen Sie den WEH® Adapter mehrmals an einen Prüfling an. Stellen Sie durch eine Sichtprüfung fest, ob die Spann- und Dichtfunktion korrekt ist und die Frontdichtung richtig abdichtet.  
**Achtung:** Beaufschlagen Sie den Adapter bei der nächsten Druckprüfung nur langsam mit dem Prüfdruck.

## 10. FEHLERBEHEBEN

Nr.	Fehler	Zu erkennen durch	Mögliche Ursache	Abhilfe
1	Gasaustritt beim Füllvorgang, bei steigendem Druck nachlassend	Ausblasgeräusche	Unsachgemäßes Anschließen	Füllvorgang stoppen, Adapter nochmals anschließen
			Zuleitung zu starr	z. B. flexiblen Schlauch anbringen
1	Gasaustritt bei steigendem Druck verstärkt	Ausblasgeräusche	Unsachgemäßes Anschließen	Prüfvorgang stoppen, Adapter nochmals anschließen
			Frontdichtung schadhafte	Prüfvorgang stoppen
			Flaschenventil beschädigt	Entscheiden, ob Füllvorgang unterbrechen oder fortfahren
2	Deformation oder Verformung an der Griffhülse oder den Anschlussstellen	Schwinggängigkeit beim Betätigen	Anschlagen der Flaschenkappe beim Ein- und Ausfahren der Paletten	Adapter sofort austauschen und zur Wartung an WEH senden
		Ausblasgeräusche		

Nr.	Fehler	Zu erkennen durch	Mögliche Ursache	Abhilfe
3	Leckage am Adapter oder Medienzuleitung	Ausblasgeräusche	Defekte Dichtungskomponenten Verschraubung an der Betriebsmedienzuleitung "B1" undicht	Adapter zur Wartung an WEH senden Anzugsdrehmoment an der Betriebsmedienleitung erhöhen
4	Adapter sitzt trotz richtigem Anschließen nicht fest	Gerät sitzt zu locker, wackelt im Gewinde des Ventils	Verschleiß	Überprüfen Sie zuerst das Flaschenventil mit der Gewindelehre, ist es defekt, ersetzen Sie das Flaschenventil. Ist das Ventil in Ordnung, ist der Adapter defekt. Adapter zur Wartung an WEH senden
5	Am Ventilianschluss sind weniger als 4 Gewindegänge im Eingriff	Gewindegänge sind am Ende des Ventils sichtbar	Verschleiß des Adapterexzentrers Falsches Flaschenventil	Adapter sofort austauschen und zur Wartung an WEH senden Überprüfen Sie das Flaschenventil

Bei sonstigen Problemen kontaktieren Sie bitte WEH oder Ihren zuständigen Vertriebspartner.

## 11. ENTSORGEN

- ▶ Entsorgen Sie das WEH® Produkt fachgerecht, wenn Sie es nicht mehr benötigen. Beachten Sie die zum Zeitpunkt der Entsorgung gültigen nationalen und örtlichen Bestimmungen zur Entsorgung.

## 12. ZUBEHÖR | ERSATZTEILE

### Anschlussadapter

Es sind verschiedene Anschlussadapter zur Verbindung der Betriebsmedienzuleitung „B1“ des WEH® Produktes mit dem Füllschlauch erhältlich.

### Drehdurchführung WEH® TD1

Für das WEH® Produkt ist eine Drehdurchführung erhältlich. Die Drehdurchführung ermöglicht das radiale Ausrichten des Adapters beim Anschließen an das Flaschenventilgewinde. Dadurch wird der Anschlussvorgang weiter erleichtert. Das Verdrehen von Schläuchen wird verhindert.

### Schnellwechselsystem WEH® TK350-TN350

Schnellwechselsystem zum schnellen und einfachen Wechseln des WEH® Produktes bei Reparaturen, zum Wechseln auf andere Normen sowie zum Wechseln von Restdruck auf Nicht-Restdruck-Adapter. Das Schnellwechselsystem kann auch als Drehdurchführung verwendet werden.

Bestellnummer	Beschreibung	B1 (Außengewinde)	B2 (Innengewinde)
C1-91239-X01	Schnellwechselkupplung TK350	-	M16x1,5 IG
C1-91241-X01	Schnellwechsellnippel TN350	M16x1,5 AG	-

### Griffverlängerung mit O-Ring

Bestellnummer	Beschreibung	B1 (Außengewinde)	B2 (Innengewinde)
W95076	Griffverlängerung 50 mm	M16x1,5	M16x1,5
W104260	Griffverlängerung 132 mm	M16x1,5	M16x1,5
W95332	Griffverlängerung 231 mm	M16x1,5	M16x1,5

## Ersatzteile

Für die Wartung des WEH® Produktes stehen folgende Artikel zur Verfügung:

Bestellnummer	Position	Beschreibung
Auf Anfrage	Pos. 7	Frontdichtung

- ▶ Geben Sie bei der Bestellung die auf Ihrem WEH® Produkt gekennzeichnete Artikelnummer an.  
**Bitte beachten:** Beachten Sie zur richtigen Verwendung von WEH® Ersatzteilen das Kapitel 9. *Inspizieren / Warten auf Seite 48.*

AE

## Contact

More questions? Great!  
Don't hesitate to contact our experts.

### *Manufacturer:*

#### **WEH GmbH Verbindungstechnik**

Josef-Henle-Str. 1  
89257 Illertissen / Germany

Phone: +49 7303 95190-0

Email: [sales@weh.com](mailto:sales@weh.com)

[www.weh.com](http://www.weh.com)

© All rights reserved, WEH GmbH Verbindungstechnik.

Any unauthorized copying, distribution or other use of the copyrighted content is strictly forbidden without the written consent of WEH GmbH Verbindungstechnik. Upon transmission of a newer version of this document, all previous versions are no longer valid. In principle, the latest version of the document is valid. This can be found at [www.weh.com](http://www.weh.com).

Our General Terms and Conditions and the Agreement on Protection of Know-How and Quality Assurance ([www.weh.com](http://www.weh.com)) shall apply to deliveries and other services, unless expressly agreed otherwise. We do not accept any General Terms and Conditions of the purchaser.

WEH® is a registered trademark  
of WEH GmbH Verbindungstechnik.

DE

## Kontakt

Sie haben Fragen oder benötigen weitere  
Informationen? Wir sind gerne für Sie da.

### *Hersteller:*

#### **WEH GmbH Verbindungstechnik**

Josef-Henle-Str. 1  
89257 Illertissen / Deutschland

Phone: +49 7303 95190-0

Email: [sales@weh.com](mailto:sales@weh.com)

[www.weh.de](http://www.weh.de)

© Alle Rechte vorbehalten, WEH GmbH Verbindungstechnik.

Jedliches unbefugte Kopieren, Verbreiten und sonstige Nutzung der urheberrechtlich geschützten Inhalte ist ohne schriftliche Zustimmung der Firma WEH GmbH Verbindungstechnik untersagt. Mit Übermittlung einer aktuelleren Version des vorliegenden Dokuments verlieren alle älteren Versionen ihre Gültigkeit. Es gilt grundsätzlich die aktuellste Version des Dokuments. Diese finden Sie unter [www.weh.com](http://www.weh.com).

Für Lieferungen und sonstige Leistungen gelten grundsätzlich unsere Allgemeinen Geschäftsbedingungen und die Know-How Schutz- und Qualitätssicherungsvereinbarung ([www.weh.com](http://www.weh.com)), sofern nicht ausdrücklich etwas anderes vereinbart wurde. Allgemeine Geschäftsbedingungen des Bestellers erkennen wir grundsätzlich nicht an.

WEH® ist eine eingetragene Marke  
der WEH GmbH Verbindungstechnik.