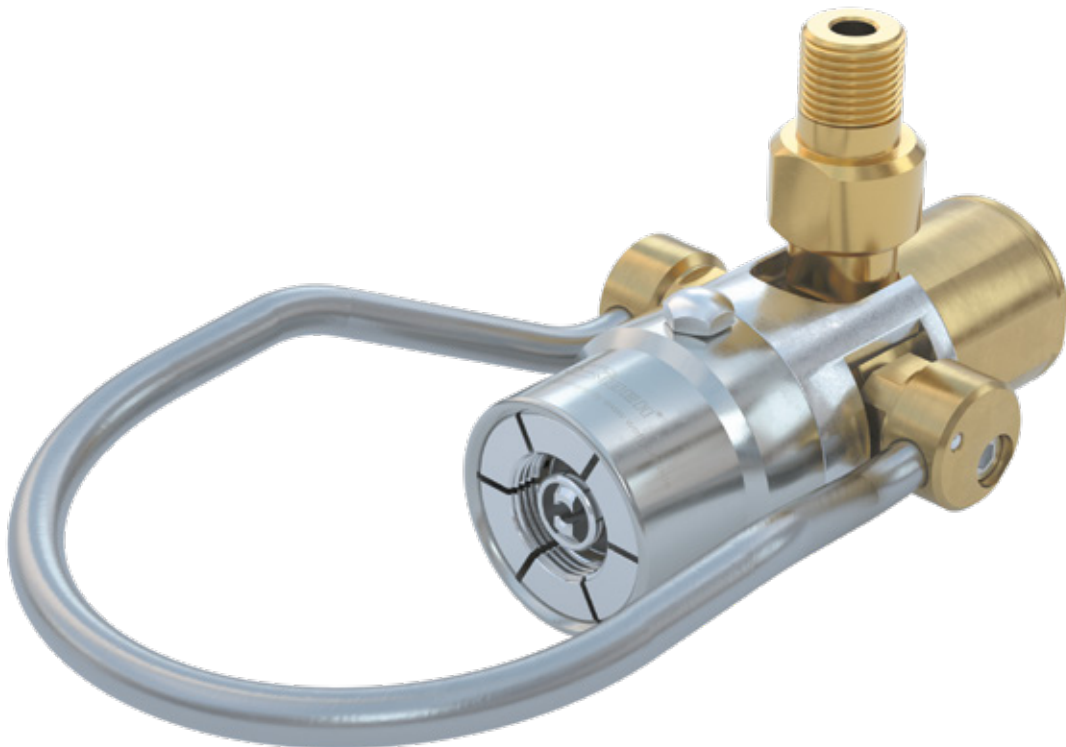


# Type **TW920**

**WEH<sup>®</sup> Quick connector for filling refrigerants**  
of cylinders with male thread and residual pressure valve



General

DESCRIPTION



Features

- For cylinder valves with male thread and residual pressure valve
- Connection in seconds
- No hand tightening required
- Simplifies the connecting and filling procedure
- Suitable for right or left handed operation
- Pin within the valve is actuated automatically
- RPV is not removed from the valve so it can be used again
- WEH® Jaw locking mechanism

The WEH® TW920 Quick connector for filling refrigerants overcomes the need to remove the cylinder valve cartridge when filling thus facilitating cylinder connection and filling. When applying pressure, the piston of the WEH® Connector moves forward and pulls out the pin of the residual pressure valve. Then filling procedure can start.

The WEH® TW920 is equipped with a HNBR front seal. Other sealing materials on request. It is the customer's responsibility to clarify the media compatibility.

Application

Quick connector for filling refrigerants of cylinders with male thread and residual pressure valve.

TECHNICAL DATA

Characteristic	Basic version
Max. allowable operating pressure PS	40 bar
Pilot pressure	6 - 8 bar (for opening residual pressure valve)
Temperature range	-10 °C up to +80 °C
Leak rate	1 x 10 <sup>-3</sup> mbar x l/s
Connection A	W21.8x1/14" for special cylinder valve with pin to pull out
Actuation	Manual actuation via operating loop (loop depending on type of cylinder valve)
Material	Brass and corrosion-resistant stainless steel
Sealing material	Front seal of HNBR

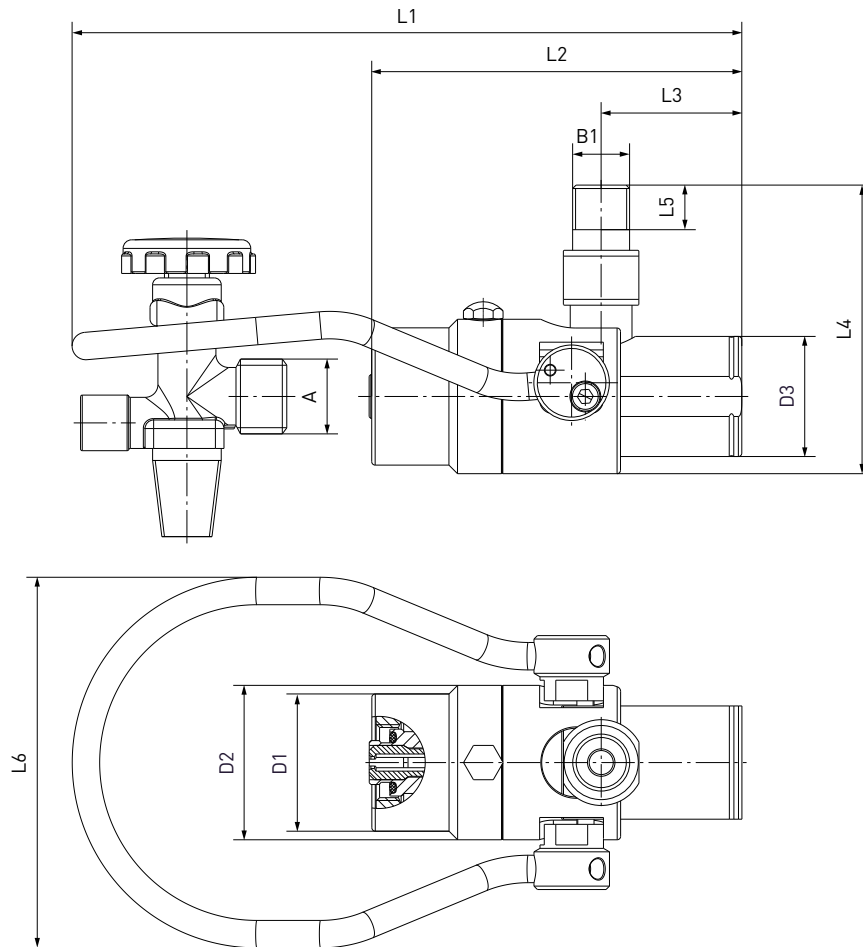
Example of use:



Ordering

**ORDERING** | WEH® TW920 Quick connector

approx. dimensions (mm)



Part No.	Description	A (male thread)	B1 (male thread)	D1	D2	D3	L1	L2	L3	L4	L5	L6
<b>C1-77826</b>	TW920	W21.8x1/14"	NPT 3/8"	40	45	35	195	108	41	84	13	108

Other connector sizes and versions on request.

Required information for ordering see page 7, catalog no. 40.

Accessories / Spare parts

**ACCESSORIES**

The following accessories are available for the WEH® TW920 Quick connector:

**WEH® TD1 Swivel joint**

The WEH® TD1 prevents twisting of the hose and enables the axial aligning of the connector.



Part No.	Description	B1	B2
On request	TD1	On request	On request

**Actuations**

For the WEH® TW920 various actuations, e.g. loops, wire ropes etc. are available in different sizes and forms. Please contact us!

**Adaptors**

Adaptors for connecting the quick connector to the filling hose are available on request.

**SPARE PARTS**

Various parts are available as spares for the WEH® TW920 Quick connector.

Part No.	Description
On request	Front seal

When ordering the front seal, please indicate the part no. engraved on the connector.

## Technical explanations

### TECHNICAL EXPLANATIONS

#### Abbreviations/Definitions

For explanation of abbreviations, definitions of terms and further explanations, see the applicable Technical Appendix of the corresponding catalog or visit [www.weh.com](http://www.weh.com)

#### Illustrations

The illustrations and/or images used in these data sheet are particularly provided for illustrative purposes only and may differ in some details from the actual product. For binding information, please refer to your individual orders.

#### Safe product selection

Our WEH® Products are designed to be operated by qualified professional users (insofar as WEH® Products are also designed to be operated by other users in individual cases, this is explicitly stated in the corresponding operating instructions). Please note that WEH does not know your system and therefore - also due to the large number of different potential applications of WEH® Products - cannot perform tests on all potential types of application. You alone are responsible for the selection, configuration and suitability of WEH® Products, especially according to the requirements of your system. Before purchasing WEH® Products, please particularly ensure that our products are compatible with your intended use, your performance data, your material and fluids, your system concept and your system limits according to our product specifications. Please also consider your technical and legal requirements for operation, handling and maintenance. The quality and safety of WEH® Products is our highest priority. For this reason, WEH® Products may not be used outside the specifications in the relevant data sheets and product descriptions. If you are not sure whether the WEH® Product is suitable for your system and intended use, please contact us in advance. We also strongly recommend that you refrain from using third-party spare parts or a combination of WEH® Products with unsuitable third-party products. You alone are responsible for reviewing the suitability of third-party products. WEH® Products and WEH® Spare parts comply with our quality and safety standards.

#### Service life

WEH® Products are generally products which may be subject to wear and fatigue during operation and depending on your individual application/use. For details - in particular regarding the corresponding minimum inspection and maintenance intervals - please refer to the respective operating instructions for the WEH® Product.

#### Explanation on the Pressure Equipment Directive

These WEH® Products are generally classified as pressure accessories in accordance with Article 2 (5) of the Pressure Equipment Directive 2014/68/EU and are considered to be similar to piping. These WEH® Products may not be used as safety accessories. Furthermore, it is pointed out, that these WEH® Products are designed and placed on the market in accordance with the requirements of Article 4 (3) of the Pressure Equipment Directive 2014/68/EU. The assessment with regard to a different classification can, however, be made on request.

#### External change management

WEH reserves the right to update, optimise and adjust its products continuously. This may result in corresponding changes of the product. Customers will be informed proactively or unsolicited by WEH only in individual cases about product updates, product optimisations and/or product adaptations that have been carried out. You are free to contact WEH at any time to request information about any product updates, product optimisations and/or product adjustments.

© All rights reserved, WEH GmbH Verbindungstechnik.

Any unauthorized copying, distribution or other use of the copyrighted content is strictly forbidden without the written consent of WEH GmbH Verbindungstechnik.

Upon transmission of a newer version of this document, all previous versions are no longer valid. In principle, the latest version of the document is valid. This can be found at [www.weh.com](http://www.weh.com).

Our General Terms and Conditions and the Agreement on Protection of Know-How and Quality Assurance ([www.weh.com](http://www.weh.com)) shall apply to deliveries and other services, unless expressly agreed otherwise.

We do not accept any General Terms and Conditions of the purchaser.

#### » Contact

More questions? – Great! Don't hesitate to contact our experts.

Manufacturer:

##### **WEH GmbH Precision Connectors**

Josef-Henle-Str. 1  
89257 Illertissen / Germany

Phone: +49 7303 9609-0

E-Mail: [sales@weh.com](mailto:sales@weh.com)

Website: [www.weh.com](http://www.weh.com)