

# Type **TW640**

**WEH<sup>®</sup> Manual connector with pressure support for filling of gas cylinders**  
with female thread (suitable for pallet filling)



General

**DESCRIPTION**



**Features**

- Version optionally with straight or 90° media inlet
- Suitable for pallet filling
- Compact design
- High-grade materials

The WEH® TW640 Manual connector has been specially developed for pallet filling of gas cylinders with female threads. The TW640 is simply placed into the cylinder valve and tightened by hand until the o-ring seal contacts the counterpart. Now the pressure-tight connection is made. Thanks to the pressure support, the manual connector seals without wrenches, sealants or tape, thus saving connection times and costs.

The WEH® TW640 Manual connector is optionally available with an inline or angled media inlet:



TW640-S1



TW640-S2

**Application**

Manual connector with pressure support for filling of gas cylinders with female thread (suitable for pallet filling).

**TECHNICAL DATA**

Characteristics	Basic version
Nominal bore (DN)	5 mm
Max. allowable operating pressure PS	375 bar
Temperature range	+5 °C up to +60 °C
Connection A (cylinder valve)	Female thread connection acc. to the corresponding national standard e.g. DIN, CEN, CGA, BS, NF etc.
Medium	Inert gases*, oxygen
Actuation	Manual actuation via grip sleeve
Material	Corrosion resistant
Sealing material	EPDM
Filling type	Pallet filling
Conformity / Tests / Approvals	Type approval for suitability against adiabatic compression available

\* Inert gases are all noble gases and nitrogen.

Other gases which are also considered inert under certain circumstances (e.g. CO<sub>2</sub>, sulfur hexafluoride) must not be used with the WEH® Product without consulting WEH!

Other designs on request

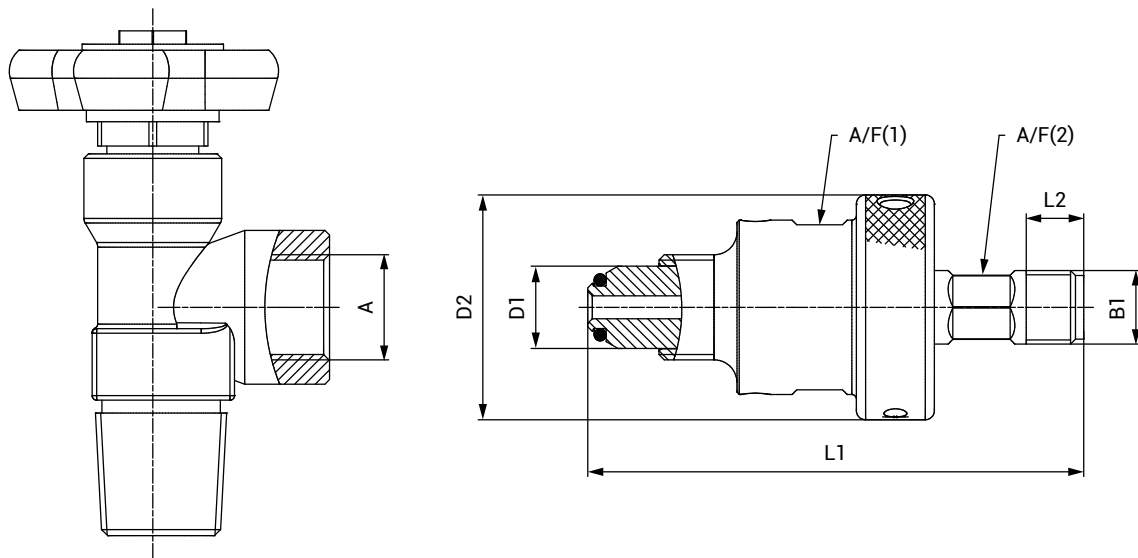
Overview / Ordering

OVERVIEW PRODUCT SERIES

Product series	Medium		Design	
	Inert gases	Oxygen	Inline	90°
TW640-S1	X	X	X	
TW640-S2	X	X		X

ORDERING | WEH® TW640-S1 Manual connector - with inline media inlet

approx. dimensions (mm)

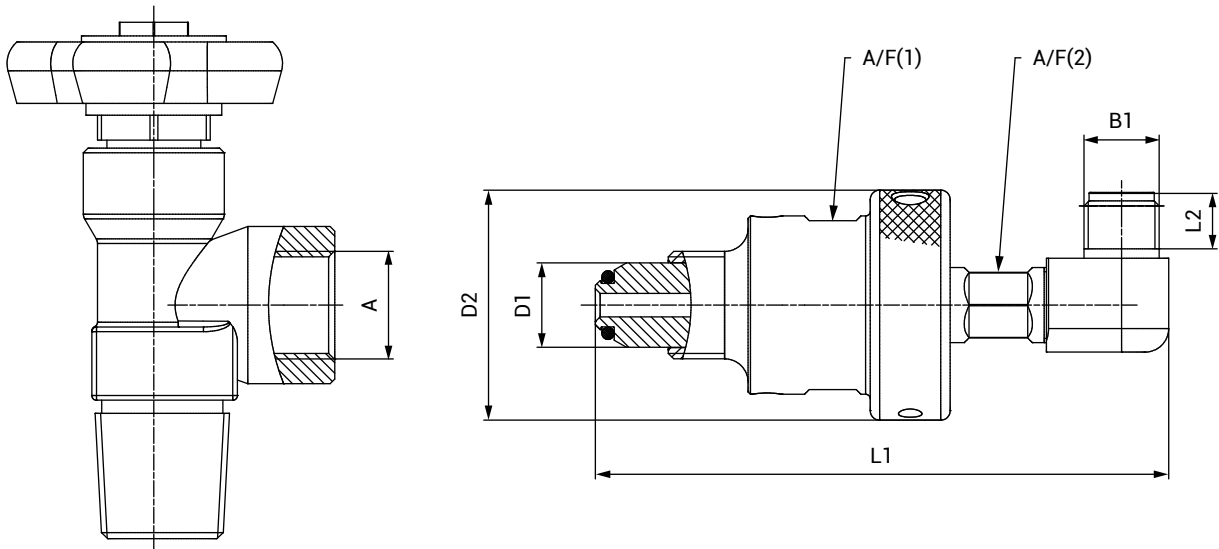


Part no.	A (female thread)	B1 (male thread)	Pressure (PS)	Medium	L1	L2	D1	D2	A/F(1)	A/F(2)
<b>C1-177704</b>	G5/8"	M16x1.5	375 bar	Inert gases	108	12.5	18	49	36	14
<b>C1-172365</b>	G5/8"	M16x1.5	375 bar	Oxygen	108	12.5	18	49	36	14

Ordering

**ORDERING** | WEH® TW640-S2 Manual connector - with 90° media inlet

approx. dimensions (mm)



Part no.	A (female thread)	B1 (male thread)	Pressure (PS)	Medium	L1	L2	D1	D2	A/F(1)	A/F(2)
<b>C1-177705</b>	G5/8"	M16x1.5	375 bar	Inert gases	122	12	18	49	36	14
<b>C1-176147</b>	G5/8"	M16x1.5	375 bar	Oxygen	122	12	18	49	36	14

Other connection sizes and types on request.

Required information for ordering see page 7, catalog no. 20.

Accessories

**ACCESSORIES**

The following accessories are available for the WEH® TW640 Manual connector:

**WEH® TD1 Swivel joint**

The TD1 swivel joint prevents twisting of the hose and enables the axial aligning of the connector.



Part no.	Description	B1	B2
<b>On request</b>	TD1	On request	On request

**WEH® TK350-TN350 Quick release coupling**

Quick release system for a quick and easy changeover of the WEH® TW640, whether for repair, to another type or a change from residual pressure to non-residual pressure cylinder valves.



Part no.	Description	B1 (male thread)	B2 (female thread)
<b>C1-91239-X01</b>	TK350 quick release coupling	-	M16x1.5
<b>C1-91241-X01</b>	TN350 quick release nipple	M16x1.5	-

**Grip extension with o-ring**



Part no.	Description	B1 (male thread)	B2 (female thread)
<b>W95076</b>	Grip extension 50 mm	M16x1.5	M16x1.5
<b>W104260</b>	Grip extension 132 mm	M16x1.5	M16x1.5
<b>W95332</b>	Grip extension 231 mm	M16x1.5	M16x1.5

**Adaptors**

Adaptors for connecting the manual connector to the filling hose are available on request.

## Technical explanations

### TECHNICAL EXPLANATIONS

#### Abbreviations/Definitions

For explanation of abbreviations and definitions of terms see applicable Technical Appendix of the corresponding catalog or [www.weh.com](http://www.weh.com)

#### Illustrations

The illustrations and/or images used in these data sheet are particularly provided for illustrative purposes only and may differ in some details from the actual product. For binding information, please refer to your individual orders.

#### Safe product selection

Our WEH® Products are designed to be operated by qualified professional users (insofar as WEH® Products are also designed to be operated by other users in individual cases, this is explicitly stated in the corresponding operating instructions). Please note that WEH does not know your system and therefore - also due to the large number of different potential applications of WEH® Products - cannot perform tests on all potential types of application. You alone are responsible for the selection, configuration and suitability of WEH® Products, especially according to the requirements of your system. Before purchasing WEH® Products, please particularly ensure that our products are compatible with your intended use, your performance data, your material and fluids, your system concept and your system limits according to our product specifications. Please also consider your technical and legal requirements for operation, handling and maintenance. The quality and safety of WEH® Products is our highest priority. For this reason, WEH® Products may not be used outside the specifications in the relevant data sheets and product descriptions. If you are not sure whether the WEH® Product is suitable for your system and intended use, please contact us in advance. We also strongly recommend that you refrain from using third-party spare parts or a combination of WEH® Products with unsuitable third-party products. You alone are responsible for reviewing the suitability of third-party products. WEH® Products and WEH® Spare parts comply with our quality and safety standards.

#### Service life

WEH® Products are generally products which may be subject to wear and fatigue during operation and depending on your individual application/use. For details - in particular regarding the corresponding minimum inspection and maintenance intervals - please refer to the respective operating instructions for the WEH® Product.

#### Explanation on the Pressure Equipment Directive

These WEH® Products are generally classified as pressure accessories in accordance with Article 2 (5) of the Pressure Equipment Directive 2014/68/EU and are considered to be similar to piping. These WEH® Products may not be used as safety accessories. Furthermore, it is pointed out, that these WEH® Products are designed and placed on the market in accordance with the requirements of Article 4 (3) of the Pressure Equipment Directive 2014/68/EU. The assessment with regard to a different classification can, however, be made on request.

#### External change management

WEH reserves the right to update, optimise and adjust its products continuously. This may result in corresponding changes of the product. Customers will be informed proactively or unsolicited by WEH only in individual cases about product updates, product optimisations and/or product adaptations that have been carried out. You are free to contact WEH at any time to request information about any product updates, product optimisations and/or product adjustments.

© All rights reserved, WEH GmbH Verbindungstechnik.

Any unauthorized copying, distribution or other use of the copyrighted content is strictly forbidden without the written consent of WEH GmbH Verbindungstechnik.

Upon transmission of a newer version of this document, all previous versions are no longer valid. In principle, the latest version of the document is valid. This can be found at [www.weh.com](http://www.weh.com).

Our General Terms and Conditions and the Agreement on Protection of Know-How and Quality Assurance ([www.weh.com](http://www.weh.com)) shall apply to deliveries and other services, unless expressly agreed otherwise.

We do not accept any General Terms and Conditions of the purchaser.

WEH® is a registered trademark of WEH GmbH Verbindungstechnik.

## » Contact

More questions? – Great! Don't hesitate to contact our experts.

Manufacturer:

**WEH GmbH Precision Connectors**

Josef-Henle-Str. 1  
89257 Illertissen / Germany

Phone: +49 7303 9609-0

E-Mail: [sales@weh.com](mailto:sales@weh.com)

Website: [www.weh.com](http://www.weh.com)