

Type **TW156**

WEH[®] Connector for testing respiratory protective equipment



General

DESCRIPTION



Features

- Quick connection in seconds without hand tightening
- Robust design
- Easy connection means no straining of muscles, joints, etc.
- Improves operational safety and ergonomics

Respiratory protective equipment, such as SCBAs, must be regularly subjected to a functional test. WEH has developed the TW156 quick connector to automate this testing procedure. In seconds and without any laborious screwing the TW156 connects pressure-tight to the handwheel of the respiratory protective device. The clamping jaws grip onto the thread and the pressure-tight connection is made. The quick connector can either be connected directly to the existing test device or connected by a hose to the test device. When used with a hose, the connector must be secured when not in use. All common test stations can be retrofitted without any problems. The quick connector improves occupational safety and ergonomics and facilitates the testing of respiratory protective equipment.

The TW156 quick connector is available with manual or pneumatic actuation and has a red ring as a visual check to indicate if the quick connector is properly connected.

The WEH® TW156 is equipped with inner seals of NBR. Other sealing materials are available on request. It is the customer's responsibility to clarify the media compatibility.

Application

Quick connector for testing respiratory protective equipment.

TECHNICAL DATA

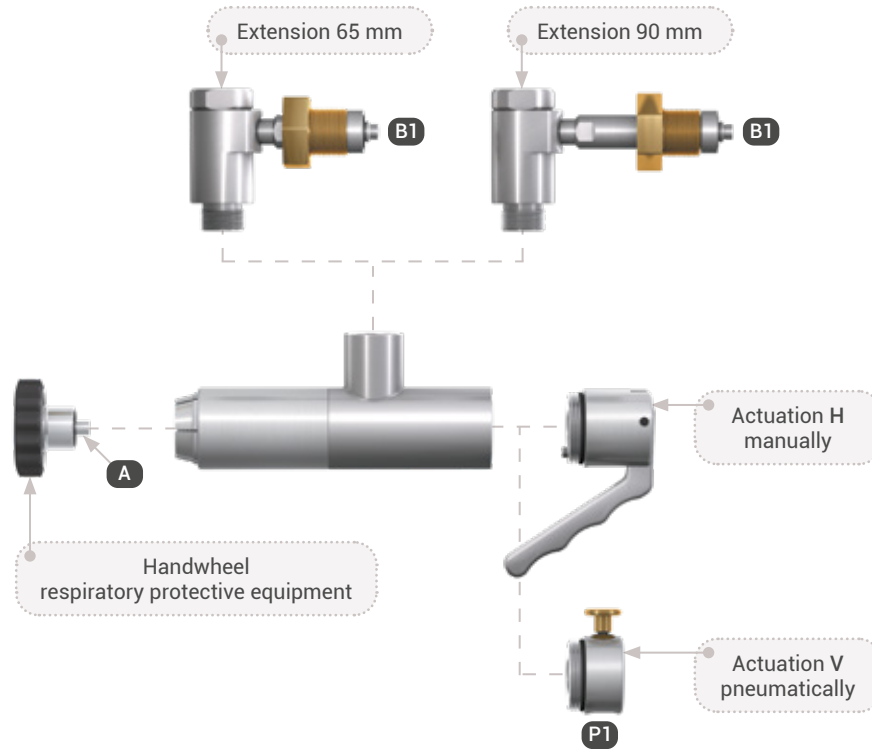
Characteristics	Basic version	Options
Max. allowable operating pressure PS	375 bar	On request
Pilot pressure	6 - 12 bar compressed air	On request
Temperature range	+5 °C up to +80 °C	On request
Medium	Breathing air (compressed air)	On request
Connection A (respiratory protective equipment)	Standard connection for G5/8" male thread	On request
Pilot pressure port P1	G1/8" female thread	On request
Actuation	H = manual actuation of the lever V = actuation via pneumatic / manual finger pressure valve	On request: P = pneumatic actuation for automated applications and activations
Material	Corrosion-resistant stainless steel Extensions: chromed / brass	On request
Sealing material	NBR	

Other designs on request

System overview

SYSTEM OVERVIEW

For the WEH® TW156 Quick connector various actuations and lateral extensions are available. The following schematic diagram shows an overview of these versions.



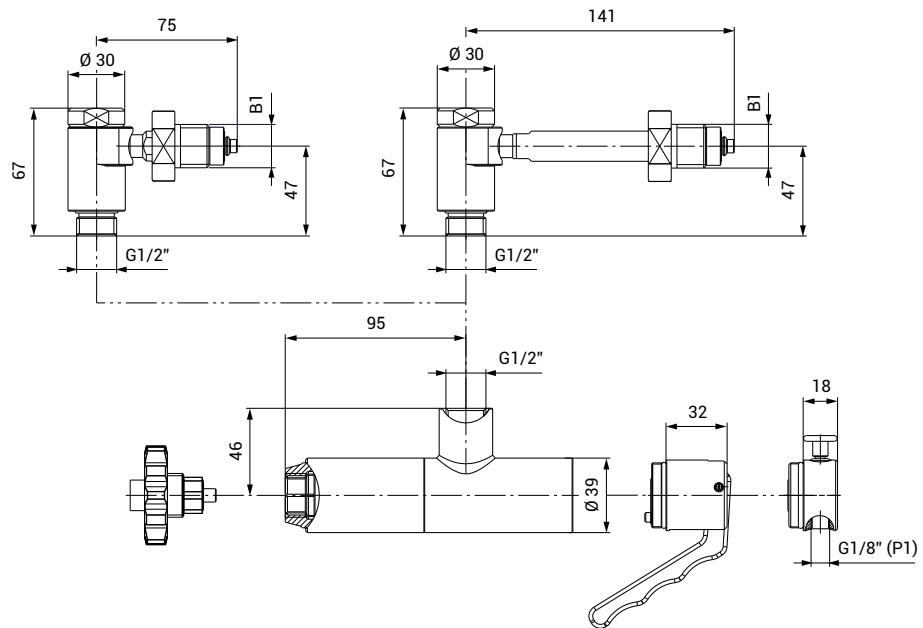
Port definition

- A** Connection respiratory protective equipment
- B1** Media inlet
- P1** Pilot pressure line (actuation V)

Ordering

ORDERING | Quick connector TW156 with extension for SCBAs with carrying system

approx. dimensions (mm)



Part no.	Description	Pressure (PS)	Actuation	B1 (male thread)
C1-55640*	Elbow extension 90 mm	375 bar	Manually H	G5/8"
C1-35615**	Elbow extension 65 mm	375 bar	Manually H	G5/8"
C1-67670**	Elbow extension 65 mm	375 bar	Pneumatically V	G5/8"

* suitable for MSA (Multi-/Proficheck), Dräger (Quaestor 5000/7000)

** suitable for Dräger (Quaestor III/automatic), Labtec

Other versions (e.g. elbow extension 130 mm) on request.

Technical explanations

TECHNICAL EXPLANATIONS

Abbreviations/Definitions

For explanation of abbreviations and definitions of terms see applicable Technical Appendix of the corresponding catalog or www.weh.com

Illustrations

The illustrations and/or images used in these data sheet are particularly provided for illustrative purposes only and may differ in some details from the actual product. For binding information, please refer to your individual orders.

Safe product selection

Our WEH® Products are designed to be operated by qualified professional users (insofar as WEH® Products are also designed to be operated by other users in individual cases, this is explicitly stated in the corresponding operating instructions). Please note that WEH does not know your system and therefore - also due to the large number of different potential applications of WEH® Products - cannot perform tests on all potential types of application. You alone are responsible for the selection, configuration and suitability of WEH® Products, especially according to the requirements of your system. Before purchasing WEH® Products, please particularly ensure that our products are compatible with your intended use, your performance data, your material and fluids, your system concept and your system limits according to our product specifications. Please also consider your technical and legal requirements for operation, handling and maintenance. The quality and safety of WEH® Products is our highest priority. For this reason, WEH® Products may not be used outside the specifications in the relevant data sheets and product descriptions. If you are not sure whether the WEH® Product is suitable for your system and intended use, please contact us in advance. We also strongly recommend that you refrain from using third-party spare parts or a combination of WEH® Products with unsuitable third-party products. You alone are responsible for reviewing the suitability of third-party products. WEH® Products and WEH® Spare parts comply with our quality and safety standards.

Service life

WEH® Products are generally products which may be subject to wear and fatigue during operation and depending on your individual application/use. For details - in particular regarding the corresponding minimum inspection and maintenance intervals - please refer to the respective operating instructions for the WEH® Product.

Explanation on the Pressure Equipment Directive

These WEH® Products are generally classified as pressure accessories in accordance with Article 2 (5) of the Pressure Equipment Directive 2014/68/EU and are considered to be similar to piping. These WEH® Products may not be used as safety accessories. Furthermore, it is pointed out, that these WEH® Products are designed and placed on the market in accordance with the requirements of Article 4 (3) of the Pressure Equipment Directive 2014/68/EU. The assessment with regard to a different classification can, however, be made on request.

External change management

WEH reserves the right to update, optimise and adjust its products continuously. This may result in corresponding changes of the product. Customers will be informed proactively or unsolicited by WEH only in individual cases about product updates, product optimisations and/or product adaptations that have been carried out. You are free to contact WEH at any time to request information about any product updates, product optimisations and/or product adjustments.

© All rights reserved, WEH GmbH Verbindungstechnik.

Any unauthorized copying, distribution or other use of the copyrighted content is strictly forbidden without the written consent of WEH GmbH Verbindungstechnik.

Upon transmission of a newer version of this document, all previous versions are no longer valid. In principle, the latest version of the document is valid. This can be found at www.weh.com.

Our General Terms and Conditions and the Agreement on Protection of Know-How and Quality Assurance (www.weh.com) shall apply to deliveries and other services, unless expressly agreed otherwise.

We do not accept any General Terms and Conditions of the purchaser.

WEH® is a registered trademark of WEH GmbH Verbindungstechnik.

» Contact

More questions? – Great! Don't hesitate to contact our experts.

Manufacturer:

WEH GmbH Precision Connectors

Josef-Henle-Str. 1
89257 Illertissen / Germany

Phone: +49 7303 9609-0

E-Mail: sales@weh.com

Website: www.weh.com