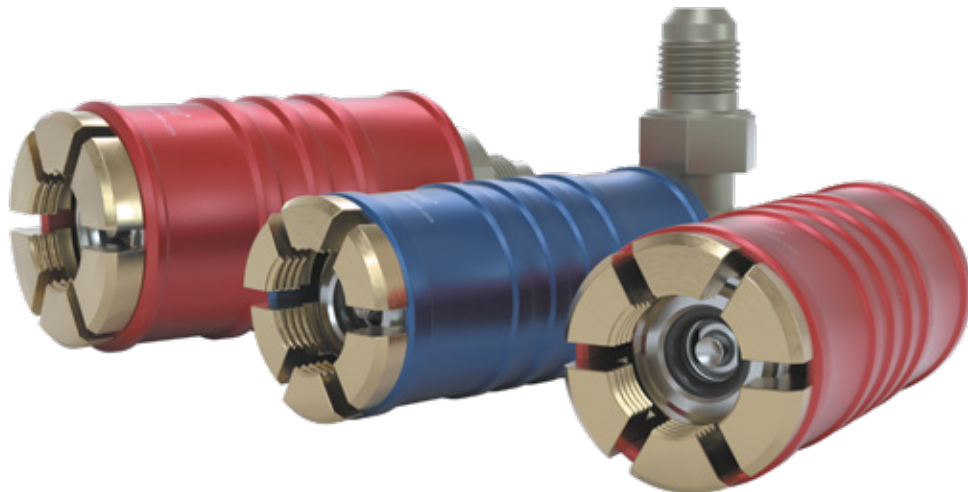


Type **TW111**

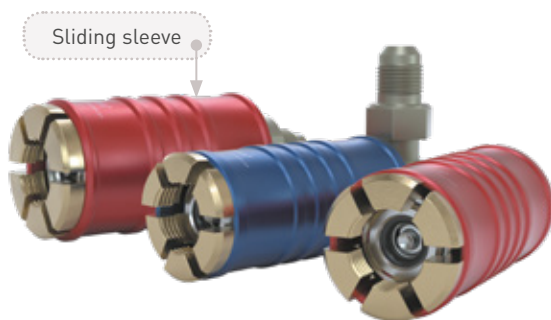
WEH[®] Connector for filling and evacuating refrigerants

of industrial refrigerating and air conditioning systems with Schrader valve acc. to SAE J513



General

DESCRIPTION



Features

- For connection to Schrader valves
- No frostbitten or burned hands
- 99 % less refrigerant loss
- Connection in seconds
- No hand tightening required
- WEH® Jaw locking mechanism
- Reduces connection times and costs
- Different versions available
- High-grade materials

The WEH® TW111 Quick connector is the ideal tool for filling and evacuating refrigerants when servicing refrigerating and air conditioning systems with Schrader valve (1/4" resp. 5/16" SAE tube connection).

An integrated shut-off valve minimizes the escape of refrigerant into the atmosphere, thus reducing refrigerant loss by up to 99 % compared to conventional screw connectors. This not only cuts costs but also protects the environment.

As with all WEH® Connectors, damage to tendons and joints caused by the continuous screwing and unscrewing of threaded connections is also eliminated with the TW111. Simply push the connector onto the Schrader valve and push the sliding sleeve forwards. A safe and pressure-tight connection is thus established in seconds. Not only does this make work significantly easier, connection times are also reduced, thus cutting costs.

The service connector is rated for a max. operating pressure of 42 bar and suitable for filling a large variety of different refrigerants, for example R134A, R22 or R410A.

The TW111 is optionally available with an inline or 90° media inlet and with colour-coded sliding sleeves in red or blue for high pressure or low pressure connection ports on the customer's system.

The WEH® TW111 is equipped with a chloroprene front seal as standard. For filling of refrigerant R410A an EPDM front seal is used. Other sealing materials on request. It is the customer's responsibility to clarify the media compatibility.

Application

Quick connector for filling and evacuating refrigerants of industrial refrigerating and air conditioning systems with Schrader valve acc. to SAE J513.

TECHNICAL DATA

Characteristic	Basic version
Max. allowable operating pressure PS*	42 bar
Temperature range	-10 °C up to +80 °C
Actuation	Manual actuation via sliding sleeve
Material	Brass and anodized aluminium
Sealing material	Front seal of chloroprene resp. EPDM (R410A)
Design	With integrated shut-off valve

* Please note that the pressure may be higher for some refrigerants, as i.e. R407A, R407B, R410A, R507 in case of high ambient temperatures!

Other designs on request

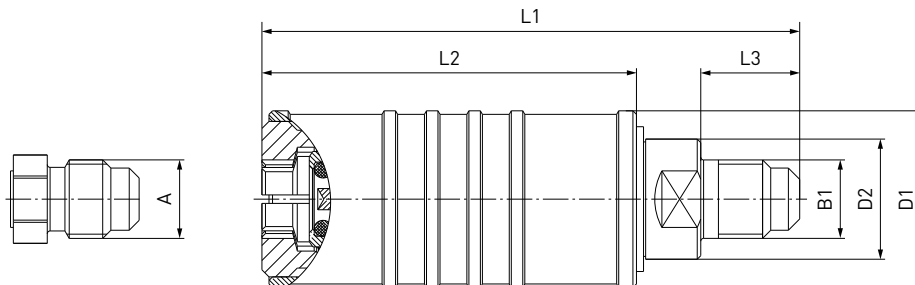
Example of use:



Ordering

ORDERING | WEH® TW111 Quick connector with inline media inlet

approx. dimensions (mm)

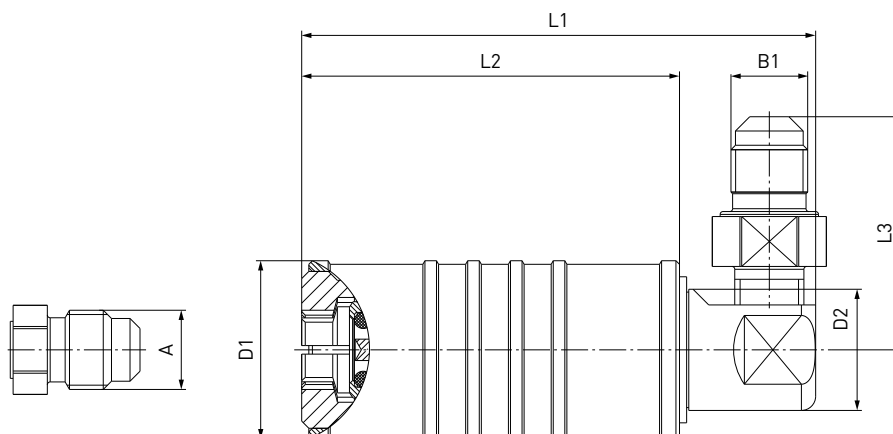


Part No.	Description	A (external thread)	B1 (external thread)	D1	D2	L1	L2	L3
C1-102991	TW111 - high pressure (red)	UNF 7/16"-20*	UNF 7/16"-20*	25	17	76	53	14
C1-102993	TW111 - low pressure (blue)	UNF 7/16"-20*	UNF 7/16"-20*	25	17	76	53	14

* acc. to SAE J513 [45°]

ORDERING | WEH® TW111 Quick connector with 90° media inlet

approx. dimensions (mm)



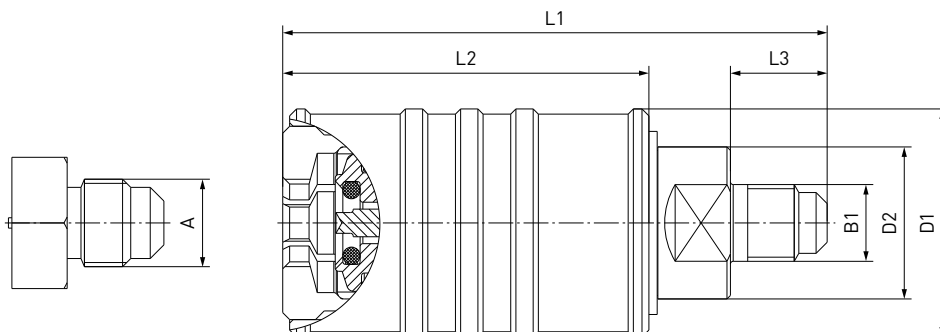
Part No.	Description	A (external thread)	B1 (external thread)	D1	D2	L1	L2	L3
C1-102992	TW111 - high pressure (red)	UNF 7/16"-20*	UNF 7/16"-20*	25	17	72	53	33
C1-102994	TW111 - low pressure (blue)	UNF 7/16"-20*	UNF 7/16"-20*	25	17	72	53	33

* acc. to SAE J513 [45°]

Ordering / Spare parts

ORDERING | WEH® TW111 Quick connector with inline media inlet, for R410A refrigerant

approx. dimensions (mm)



Part No.	Description	A (external thread)	B1 (external thread)	D1	D2	L1	L2	L3
C1-30291	TW111 - high pressure (red)	UNF 1/2"-20*	UNF 1/2"-20*	33	22	79	53	14
C1-30290	TW111 - low pressure (blue)	UNF 1/2"-20*	UNF 1/2"-20*	33	22	79	53	14
C1-34797	TW111 - high pressure (red)	UNF 1/2"-20*	UNF 7/16"-20*	33	22	79	53	14
C1-34796	TW111 - low pressure (blue)	UNF 1/2"-20*	UNF 7/16"-20*	33	22	79	53	14

* acc. to SAE J513 (45°)

Other connector sizes and versions on request.

Required information for ordering see page 7, catalogue no. 40.

SPARE PARTS

Various parts are available as spares for the TW111 quick connector:

Part No.	Description
On request	Front seal

When ordering the front seal, please indicate the part no. engraved on the connector.

Other products

OTHER PRODUCTS

You will find more products in our current catalogue no. 40



Further information on our homepage
www.weh.com

Abbreviations/Definition

Explanation of abbreviations see technical appendix in the catalogue or www.weh.com

Safe product selection

Our WEH® Products are designed to be operated by qualified professional users (insofar as WEH® Products are also designed to be operated by other users in individual cases, this is explicitly stated in the corresponding operating instructions). You alone are responsible for the selection of WEH® Products and their configuration according to the requirements of your system. In doing so, please particularly consider your intended use, your performance data, your material compatibility, your system concept and your system limits as well as your technical and legal requirements for operation, handling and maintenance. The quality and safety of WEH® Products is our highest priority. For this reason, WEH® Products may not be used outside the specifications in the relevant Product data sheets and product descriptions. We also strongly recommend that you refrain from using third-party spare parts or a combination of WEH® Products with unsuitable third-party products. You alone are responsible for reviewing the suitability of third-party products. WEH® Products and WEH® Spare parts comply with our quality and safety standards.

Explanation on the Pressure Equipment Directive

These WEH® Products are generally and exclusively classified as pressure accessories for piping in accordance with Article 2 (5) of the Pressure Equipment Directive 2014/68/EU. These WEH® Products may not be used (i) as safety accessories or (ii) for vessels as defined by the Pressure Equipment Directive 2014/68/EU. Therefore, the application of these WEH® Products must comply with their classification as pressure accessories for piping. The assessment with regard to a different classification can, however, be made on request.

External change management

WEH reserves the right to update, optimise and adjust its products continuously. This may result in corresponding changes of the product. Customers will be informed proactively or unsolicited by WEH only in individual cases about product updates, product optimisations and/or product adaptations that have been carried out. You are free to contact WEH at any time to request information about any product updates, product optimisations and/or product adjustments.

© All rights reserved, WEH GmbH. Any unauthorized use is strictly forbidden. Subject to alteration.
No liability will be assumed for any content. Herewith previous versions are no longer valid.

» Contacting

For queries and further information, please do not hesitate to contact us.

Manufacturer:

WEH GmbH Precision Connectors

Josef-Henle-Str. 1
89257 Illertissen / Germany

Phone: +49 7303 9609-0
Fax: +49 7303 9609-9999

Email: sales@weh.com
www.weh.com