

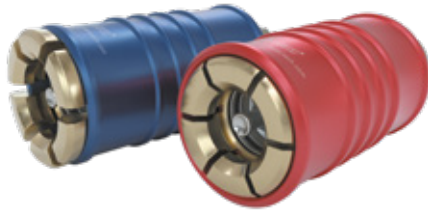
# Type **TW108**

**WEH<sup>®</sup> Quick connector for filling and evacuating refrigerants**  
during maintenance of automotive air conditioning equipment



General

**DESCRIPTION**



**Features**

- Connection in seconds
- No hand tightening required
- WEH® Jaw locking mechanism
- Reduces connection times and costs
- Versions for high or low pressure connection ports available
- High-grade materials

The WEH® TW108 Quick connector is a good reasonably priced alternative to the WEH® TW110 for filling and evacuating refrigerants, as for example R134A, especially during maintenance of automotive air conditioning equipment acc. to SAE J639. The connector is the ideal choice for leak-tight connections during maintenance work, continuous operation not requiring.

The TW108 quick connector is equipped with an integrated and flow-optimized shut-off valve reducing the leakage of environmentally harmful refrigerants to a low residual volume. Thanks to the high operating convenience offered by the sliding sleeve, tedious hand tightening causing RSI is a thing of the past. Thus workflows are significantly simplified and considerable time and cost savings are achieved.

The quick connector is rated for a max. operating pressure of 35 bar and available with colour-coded sliding sleeves in red or blue for high pressure or low pressure connection ports on the customer's system.

The WEH® TW108 is equipped with a HNBR front seal. Other sealing materials on request. It is the customer's responsibility to clarify the media compatibility.

**Application**

Quick connector for filling and evacuating refrigerants during maintenance of automotive air conditioning equipment acc. to SAE J639.

**TECHNICAL DATA**

Characteristic	Basic version
Max. allowable operating pressure PS*	35 bar
Temperature range	-10 °C up to +80 °C
Leak rate	1 x 10 <sup>-3</sup> mbar x l/s
Actuation	Manual actuation via sliding sleeve
Material	Brass and anodized aluminium
Sealing material	Front seal of HNBR
Design	With integrated shut-off valve

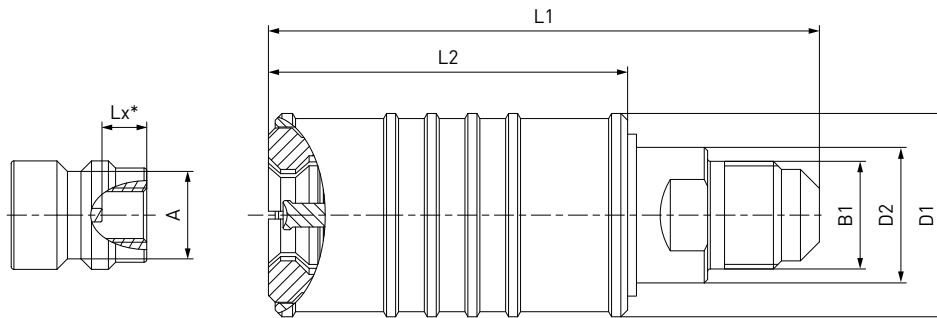
**Example of use:**



Ordering / Spare parts

**ORDERING** | WEH® TW108 Quick connector

approx. dimensions (mm)



Part No.	Description	A**	B1 (male thread)	D1	D2	L1	L2	L3
<b>C1-14455</b>	TW108 - high pressure (red)	∅ 13	UNF 7/16"-20***	30	20	79	53	14.0
<b>C1-14458</b>	TW108 - low pressure (blue)	∅ 11	UNF 7/16"-20***	30	20	79	53	14.0
<b>C1-14455/1</b>	TW108 - high pressure (red)	∅ 13	UNF 5/8"-18***	30	20	81	53	16.5
<b>C1-14458/1</b>	TW108 - low pressure (blue)	∅ 11	UNF 5/8"-18***	30	20	81	53	16.5

\* Lx: the connection depth of each customer's receptacle valve may vary.  
Therefore a sample or dimensioned drawing is needed for each order.

\*\* acc. to SAE J639

\*\*\* acc. to SAE J513 (45°)

Other connector sizes and versions on request.

Required information for ordering see page 7, catalog no. 40.

**SPARE PARTS**

Various parts are available as spares for the WEH® TW108 Quick connector.

Part No.	Description
<b>On request</b>	Front seal

When ordering the front seal, please indicate the part no. engraved on the connector.

## Technical explanations

### TECHNICAL EXPLANATIONS

#### Abbreviations/Definitions

For explanation of abbreviations, definitions of terms and further explanations, see the applicable Technical Appendix of the corresponding catalog or visit [www.weh.com](http://www.weh.com)

#### Illustrations

The illustrations and/or images used in these data sheet are particularly provided for illustrative purposes only and may differ in some details from the actual product. For binding information, please refer to your individual orders.

#### Safe product selection

Our WEH® Products are designed to be operated by qualified professional users (insofar as WEH® Products are also designed to be operated by other users in individual cases, this is explicitly stated in the corresponding operating instructions). Please note that WEH does not know your system and therefore - also due to the large number of different potential applications of WEH® Products - cannot perform tests on all potential types of application. You alone are responsible for the selection, configuration and suitability of WEH® Products, especially according to the requirements of your system. Before purchasing WEH® Products, please particularly ensure that our products are compatible with your intended use, your performance data, your material and fluids, your system concept and your system limits according to our product specifications. Please also consider your technical and legal requirements for operation, handling and maintenance. The quality and safety of WEH® Products is our highest priority. For this reason, WEH® Products may not be used outside the specifications in the relevant data sheets and product descriptions. If you are not sure whether the WEH® Product is suitable for your system and intended use, please contact us in advance. We also strongly recommend that you refrain from using third-party spare parts or a combination of WEH® Products with unsuitable third-party products. You alone are responsible for reviewing the suitability of third-party products. WEH® Products and WEH® Spare parts comply with our quality and safety standards.

#### Service life

WEH® Products are generally products which may be subject to wear and fatigue during operation and depending on your individual application/use. For details - in particular regarding the corresponding minimum inspection and maintenance intervals – please refer to the respective operating instructions for the WEH® Product.

#### Explanation on the Pressure Equipment Directive

These WEH® Products are generally classified as pressure accessories in accordance with Article 2 (5) of the Pressure Equipment Directive 2014/68/EU and are considered to be similar to piping. These WEH® Products may not be used as safety accessories. Furthermore, it is pointed out, that these WEH® Products are designed and placed on the market in accordance with the requirements of Article 4 (3) of the Pressure Equipment Directive 2014/68/EU. The assessment with regard to a different classification can, however, be made on request.

#### External change management

WEH reserves the right to update, optimise and adjust its products continuously. This may result in corresponding changes of the product. Customers will be informed proactively or unsolicited by WEH only in individual cases about product updates, product optimisations and/or product adaptations that have been carried out. You are free to contact WEH at any time to request information about any product updates, product optimisations and/or product adjustments.

© All rights reserved, WEH GmbH Verbindungstechnik.

Any unauthorized copying, distribution or other use of the copyrighted content is strictly forbidden without the written consent of WEH GmbH Verbindungstechnik.

Upon transmission of a newer version of this document, all previous versions are no longer valid. In principle, the latest version of the document is valid. This can be found at [www.weh.com](http://www.weh.com).

Our General Terms and Conditions and the Agreement on Protection of Know-How and Quality Assurance ([www.weh.com](http://www.weh.com)) shall apply to deliveries and other services, unless expressly agreed otherwise.

We do not accept any General Terms and Conditions of the purchaser.

## » Contact

More questions? – Great! Don't hesitate to contact our experts.

Manufacturer:

**WEH GmbH Precision Connectors**

Josef-Henle-Str. 1  
89257 Illertissen / Germany

Phone: +49 7303 9609-0

E-Mail: [sales@weh.com](mailto:sales@weh.com)

Website: [www.weh.com](http://www.weh.com)